



The Sign of Comfort

When ordering parts, always state:
MODEL NO. - PRODUCT NO. - QUANTITY -
PART NUMBER - DESCRIPTION
For Electric Details also state:
VOLTAGE - WATTAGE

PARTS LIST

Model

RGE400

Free Standing Refrigerator

USA
SERVICE OFFICE
Dometic Corporation
509 South Poplar Street
Lagrange, IN 46761
260-463-4858

CANADA
Dometic Distribution
866 Langs Drive
Cambridge, Ontario
CANADA N3H 2N7
519-653-4390

**For Service Center
Assistance Call:**
800-544-4881

Product Number	Model	Voltage	RefrigeratorStyle	Refrig. Door Color	Market	Brand
921172033	RGE400	120VAC	Free Standing	Bisque	USA - CA	Dometic

PARTS LIST

MODEL RGE400 Series

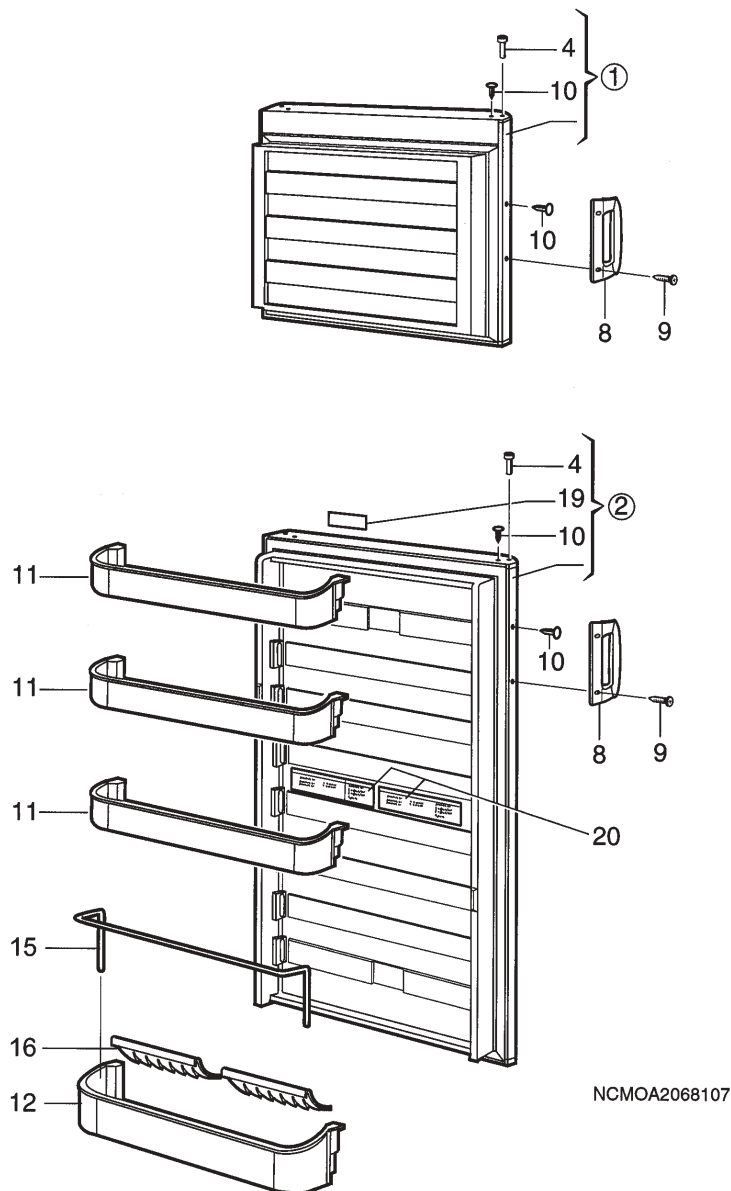
ALPHABETICAL INDEX

	Page#	Index#
Cabinet, Exterior Components	4-5	3-999
Cabinet, Interior Components	6-7	1-116
Cabinet, Rear View	10-11	100-119
Control & Burner Components	8-9	1-120
Door Assm.	3	1-20
Wiring Diagram	12	—

SPECIFICATIONS

Model	RGE400
Product Number*	921172033
Energy Source**	120 VAC, Gas
AC Heating Element	
Amperage	2.5
Ohm Resis. +/- 10%	48
Wattage	300
BTU's Gas Burner	1500
Jet Size	#58
Flue Baffle	
Size	5-1/8" x 13/16"
Position Above Burner	4-1/4"
Ice Trays	1
Crispers	2
Bottle Holders	2
<p>* Product number located on refrigerator data plate. Note: Interior light requires four D-size (1.5VDC) Batteries</p>	

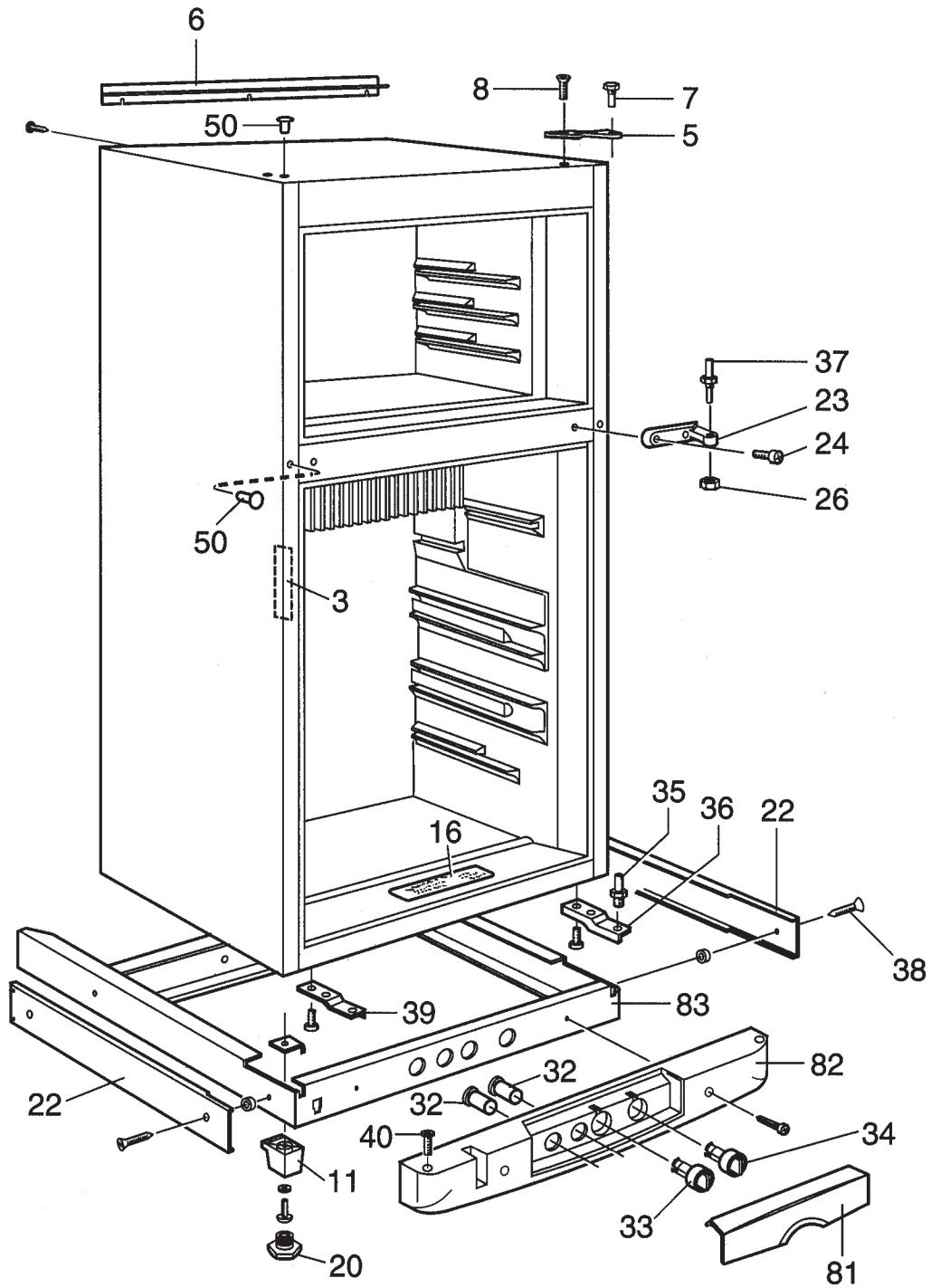
DOOR ASSEMBLY



RGE400 921172033 = A

Index No.	Part No	A	Description
1	2932803154	A	Door, Freezer
2	2932805134	A	Door, Refrigerator
4	2059342036	A	Bushing, Hinge - Gray
8	2080375021	A	Handle - Gray
9	3858038023	A	Screw - Gray
10	3850585021	A	Plug - Beige
11	2932576016	A	Shelf, Door
12	2932575018	A	Shelf, Bottle
15	2932585033	A	Rack, Wire
16	2932658012	A	Holder, Bottle
19	2931307017	A	Decal
20	2932937002	A	Decal
	3850581004	A	Decal, French

CABINET, EXTERIOR COMPONENTS



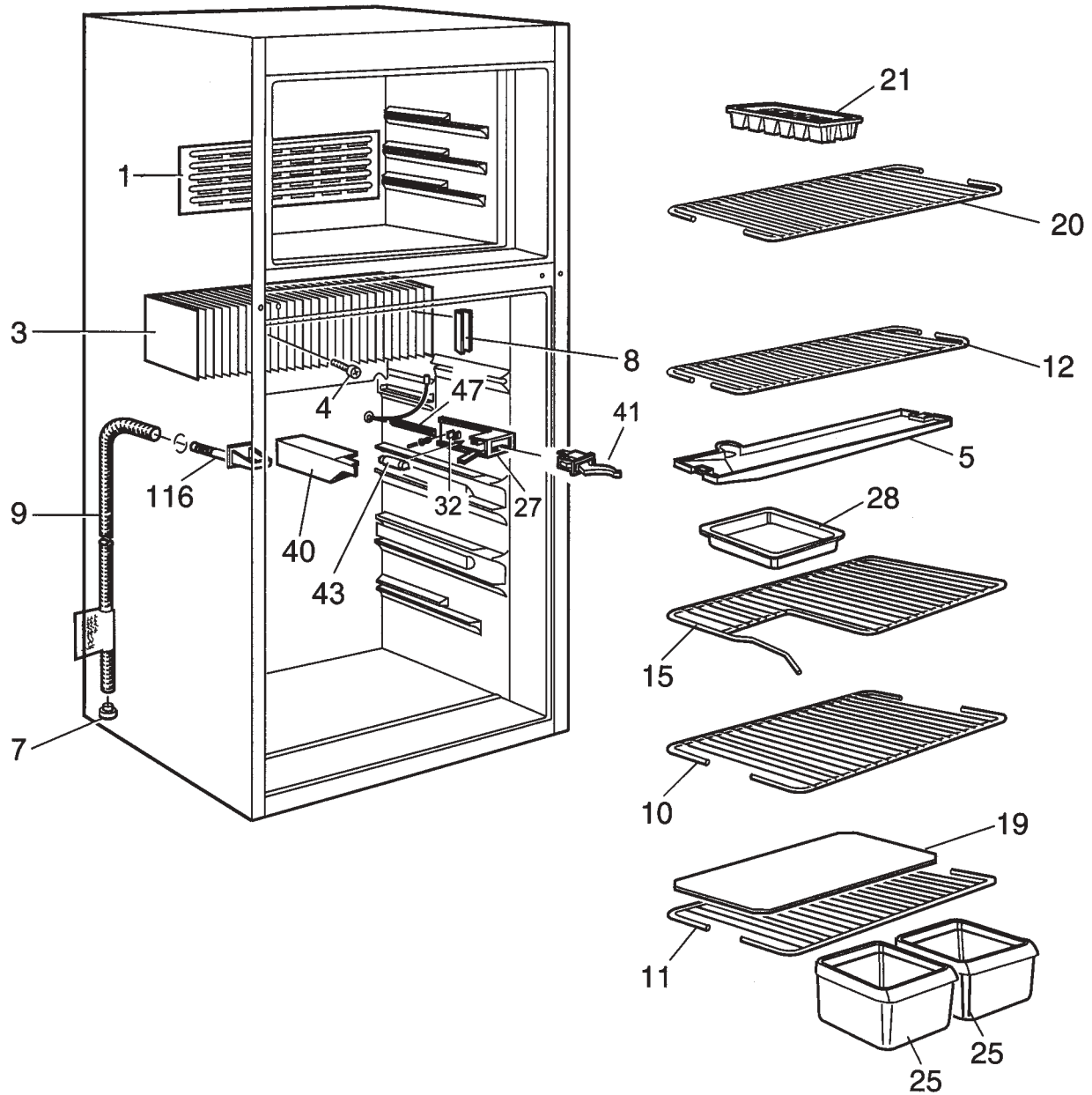
NCMOB2068103

CABINET, EXTERIOR COMPONENTS

RGE400 921172033 = A

Index No.	Part No	A	Description
3	3850638002	A	Decal
5	2932787134	A	Hinge, Upper RH - Beige
6	2932801125	A	Cover
7	2932790013	A	Pin, Upper Hinge
8	3858056033	A	Screw, MFX M5x12
11	2004003006	A	Foot, RA34
16	2932934009	A	Decal
20	2002599005	A	Foot, Adjustable
22	2932795129	A	Cover
23	2932788124	A	Hinge, Middle
24	3858004082	A	Screw, MRX M5x20
26	3858030012	A	Nut, Hinge
32	2007479088	A	Button, Pressure - Gray
33	2007480417	A	Knob, Thermostat - Gray
34	2007480425	A	Knob, Selector - Gray
35	2932792019	A	Pin, Lower Hinge
36	2932789023	A	Hinge, Lower RH
37	2932791011	A	Pin, Middle Hinge
38	3858003035	A	Screw, FXS B10x22
39	2932789015	A	Hinge, Lower LH
40	3858004017	A	Screw, MRX M6x12
50	2932373026	A	Cap - Gray
81	2932783018	A	Flap
82	2932782101	A	Front, Base - Gray
83	2932836014	A	Base
999	2932372085	A	Kit Door Reversal RH - LH

CABINET, INTERIOR COMPONENTS



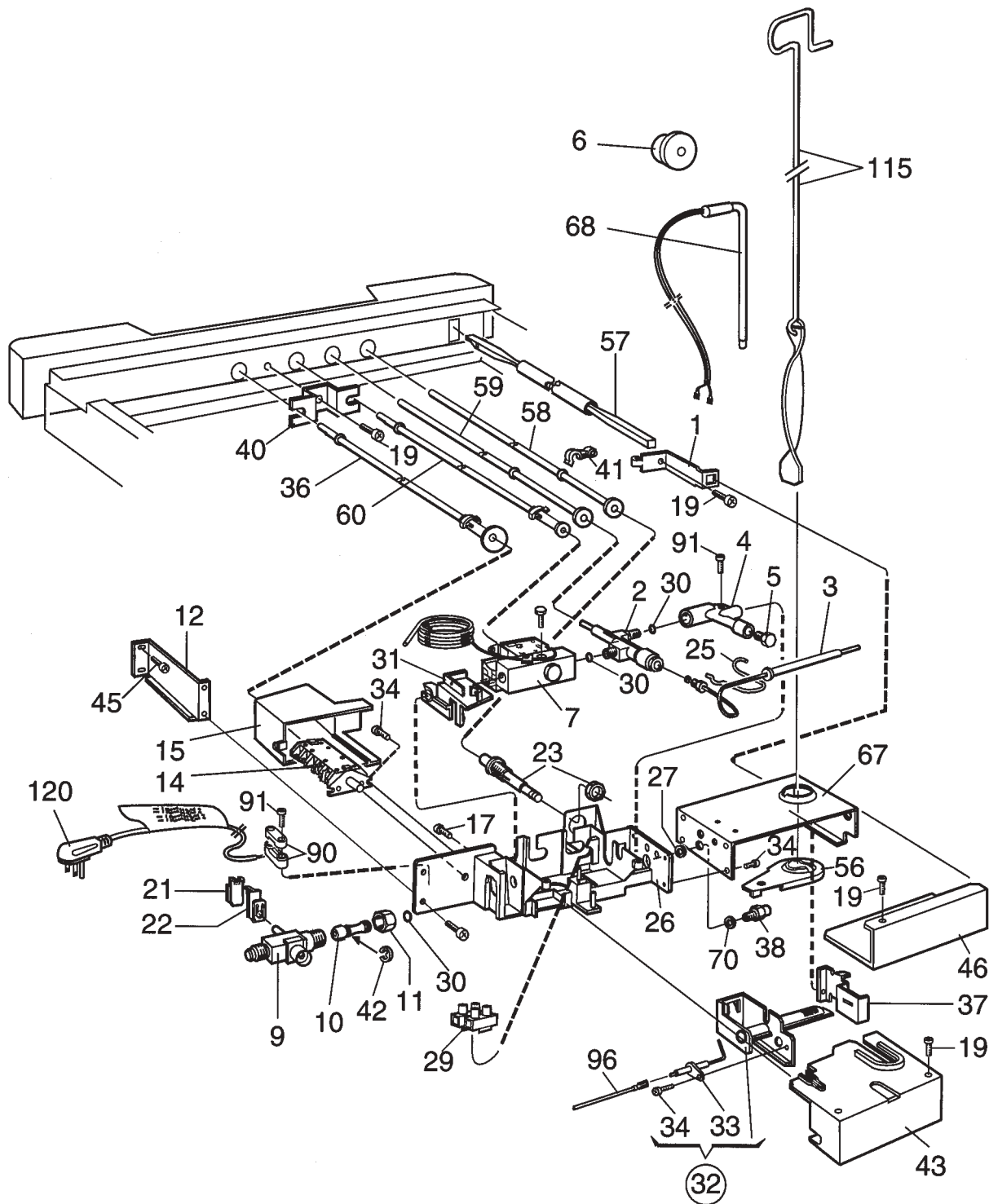
NCMOD2068105

CABINET, INTERIOR COMPONENTS

RGE400 921172033 = A

Index No.	Part No	A	Description
1	2932728013	A	Coverplate
3	2932630029	A	Fins Cooling
4	3858036019	A	Screw, KFXS B10x10 Zinc
5	2932624014	A	Tray, Condensate
7	2932115013	A	Plug, Condensate Drain
8	2890050004	A	Clamp
9	2932749050	A	Hose, Drain
10	2932625029	A	Shelf, Wire
11	2932625045	A	Shelf, Wire
12	2932625086	A	Shelf, Wire
15	2932626027	A	Shelf, Wire
19	2931117085	A	Shelf, Plastic
20	2932627025	A	Shelf, Wire
21	2930400003	A	Tray, Ice Cube
25	2932621010	A	Crisper
27	2932523018	A	Lampholder
28	2932636018	A	Tray
32	2932108018	A	Pin, Contact
40	2932106012	A	Shade, Lamp
41	2932665017	A	Switch
43	2007290022	A	Bulb, 6VDC
47	2933091015	A	Bar Protection
116	2932635010	A	Drain

CONTROL & BURNER COMPONENTS

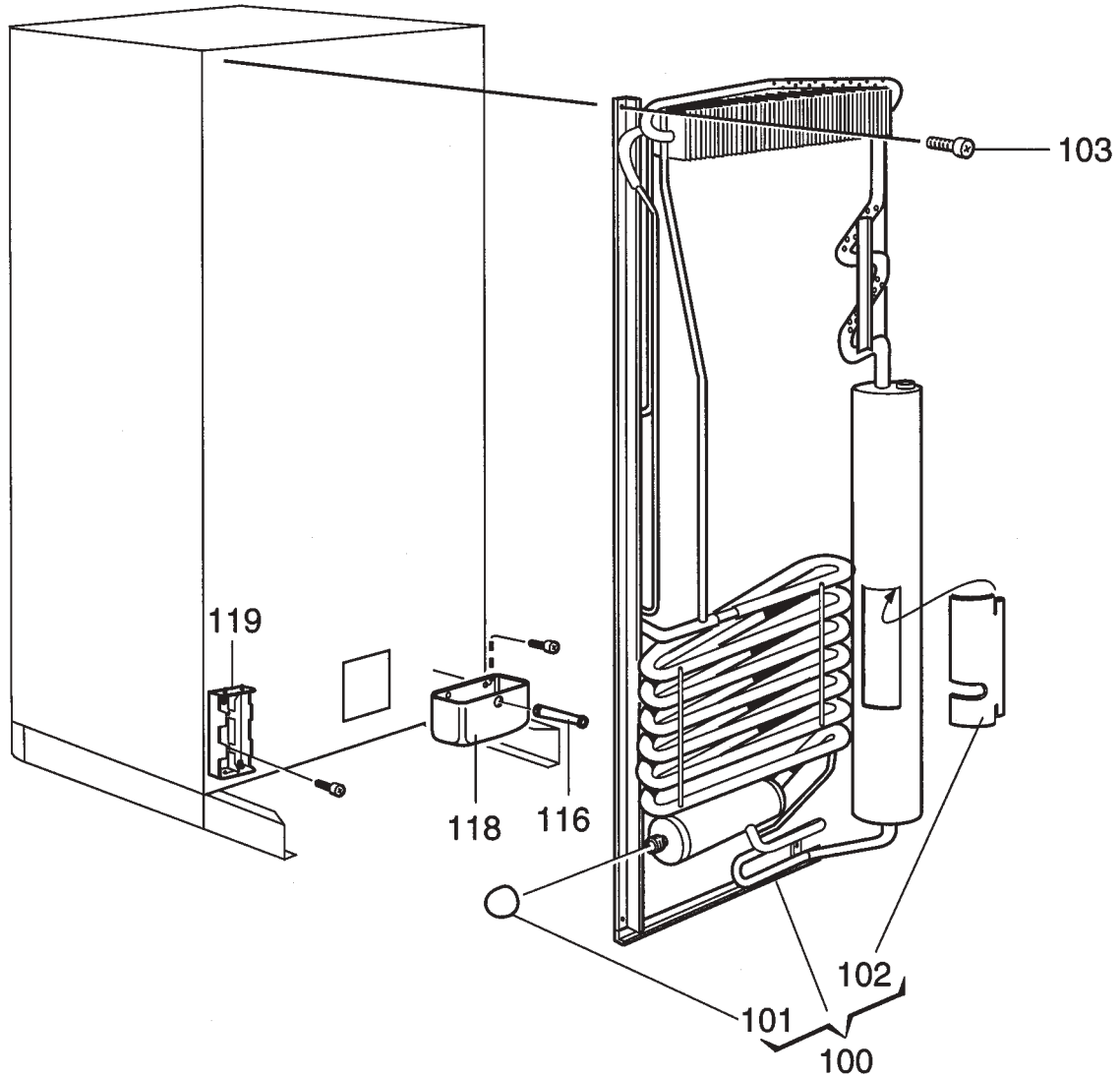


NCMOH2068104

CONTROL & BURNER COMPONENTS

RGE400 921172033 = A

Index No.	Part No	A	Description
1	2007648005	A	Holder, Light Conductor
2	2931657015	A	Valve Safety
3	2931496042	A	Thermo Element
4	2007518000	A	Coupling
5	0169380003	A	Plug, Screw
6	2002301006	A	Cover
7	3850223011	A	Thermostat, V61-PO130
9	2007430008	A	Valve, Gas
10	2007429000	A	Nipple
11	0172809006	A	Nut
12	2932796028	A	Bracket
14	2007432004	A	Switch
15	2007439009	A	Cap
17	3858039039	A	Screw, MRX M4x8 Zinc
19	3858002144	A	Screw, RXS B6x9.5
21	2007577014	A	Spring
22	2007578004	A	Spring
23	2931796011	A	Piezo Lighter
25	2007425008	A	Spring, Retaining
26	3850548011	A	Bracket
27	3858010139	A	Washer, Brass
29	7627202562	A	Block, Junction
30	0140748005	A	Ring, Sealing T2527-1
31	2007428002	A	Snapper
32	2007503036	A	Burner, Complete
33	2930379009	A	Electrode
34	3858005014	A	Screw, RXK B6x9.5 Zinc
36	2007475045	A	Axle, Complete
37	2007651017	A	Burner, Guide
38	2007419217	A	Jet, #58
40	2007567007	A	Support, Axle
41	2005112004	A	Clip
42	3858034022	A	Ring, Retaining #8 Zinc
43	2007440007	A	Cap
45	3858039047	A	Screw, MRX M4x10
46	2007505007	A	Cover
56	2007458017	A	Washer, Interlock
57	2932797018	A	Conductor, Light
58	2007468115	A	Rod, Push
59	2007468099	A	Rod, Push
60	2007471044	A	Shaft, Complete
67	2007502038	A	Housing, Burner
68	0173742271	A	Heater, 120VAC,300Watt
70	2007457001	A	Washer, 05mm
90	0561014010	A	Clamp, Cable
91	3858002177	A	Screw, RXS B6x19 Zinc
96	2931360099	A	Conductor, Electrode
115	2932667047	A	Baffle, Flue
120	2002699102	A	Cord, Power

CABINET, REAR VIEW

NCMOE2064893

CABINET, REAR VIEW

RGE400 921172033 = A

Index No.	Part No	A	Description
100	2934807096	A	Cooling Unit type 807
101	0173228008	A	Cap
102	2933557007	A	Cover, Heater
103	3858020013	A	Screw, DK4.8x16P Zinc
116	2931829010	A	Tube, Outlet
118	2931828012	A	Tray, Drip
119	2932849017	A	Box, Battery

WIRING DIAGRAM RGE400

