



When ordering parts, always state:
 MODEL NO. - PRODUCT NO. - QUANTITY -
 PART NUMBER - DESCRIPTION
 For Electric Details also state:
 VOLTAGE - WATTAGE

NEW DIMENSIONS™

REFRIGERATOR PARTS LIST MODEL NDA1402

USA
 SERVICE OFFICE
 Dometic Corporation
 2320 Industrial Parkway
 Elkhart, IN 46516
 574-294-2511

CANADA
 Dometic Corporation
 46 Zatonski, Unit 3
 Brantford, ON N3T 5L8
 CANADA
 519-720-9578

**For Service Center
 Assistance Call:**
 800-544-4881

Product Number	Model Number	Voltage	Refrig. Frame Color	Door Style	Door/Door Trim Color	Market	Brand
921148254	NDA1402	120VAC	Black	Surround	Black	USA, Can	Dometic

PARTS LIST

MODEL
 NDA1402
Series

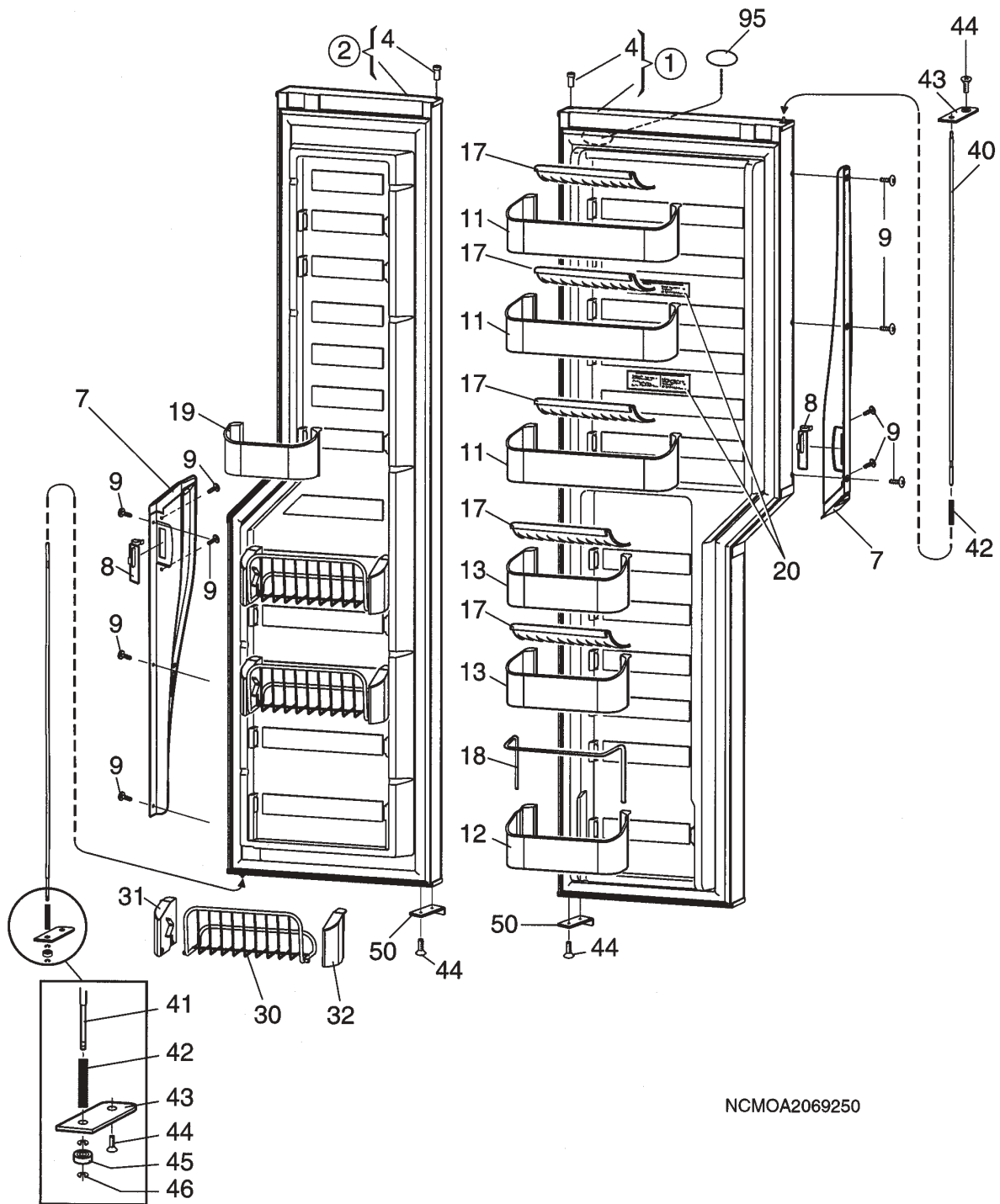
ALPHABETICAL INDEX

	Page#	Index#
Cabinet, Exterior Components	5-6	2-108
Cabinet, Interior Components	7-8	3-130
Cabinet, Freezer Components	13-14	6-136
Cabinet, Rear View	11-12	100-141
Control & Burner Components	9-10	1-164
Door Assm.	3-4	1-95
Ice Maker	15-16	80-125
Wiring Diagram	17-19	—

SPECIFICATIONS

Model	NDA1402
Product Number*	921148254
Energy Source**	120 VAC, Gas
AC Heating Element	
Amperage	1.75 each
Ohm Resis. +/- 10%	69 each
Wattage	210 each
BTU's Gas Burner	2080
Jet Size	76
Flue Baffle	
Size	6" x 15/16"
Position Above Burner	1-1/4"
Ice Bins	1
Crispers	2
Bottle Holders	5
Climate Control Heater	
Watts	6
Ohms	24
Amperage	0.5
<p>* Product number located on refrigerator data plate.</p> <p>** 12 volt DC power is required to operate the refrigerator controls on all models.</p>	

DOOR ASSEMBLY



NCMOA2069250

Only Those Parts Identified With An Index Number Are Available For Service Replacement.

DOOR ASSEMBLY

NDA1402 921148254 = A

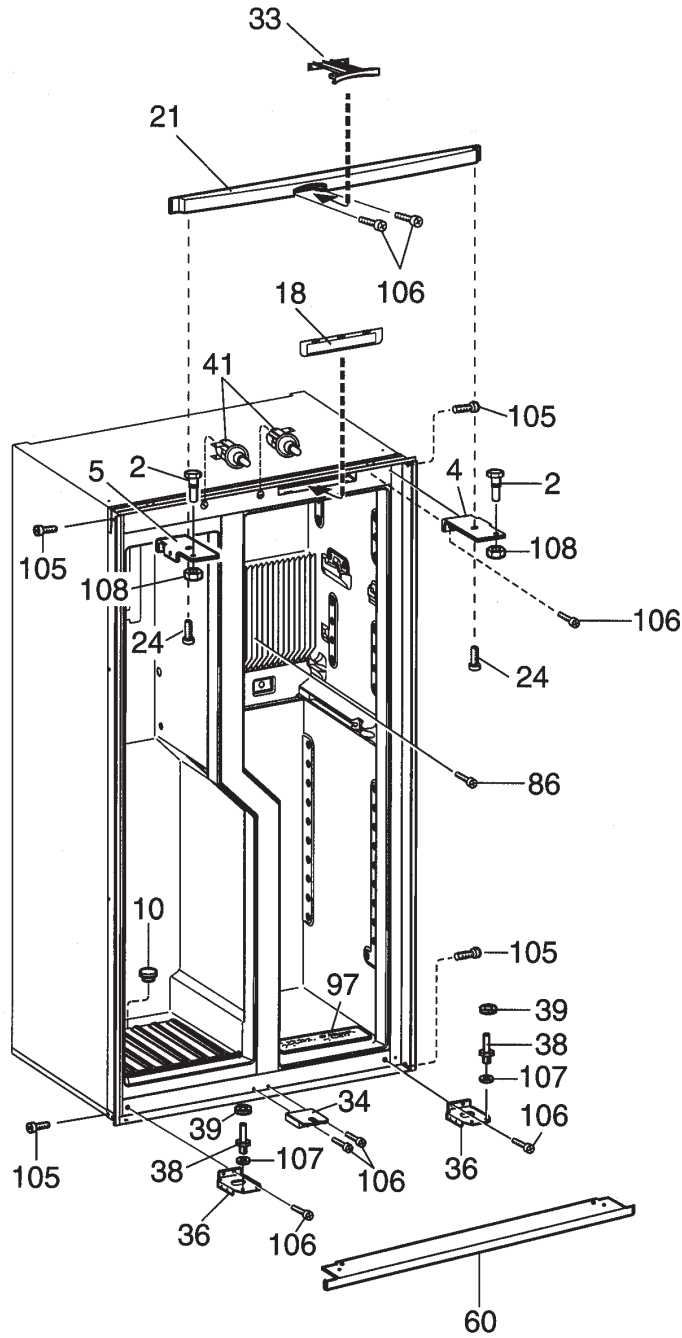
Index

No.	Part No.	A	Description
1	3850426044	A	Refrigerator Door, Black
2	3850427042	A	Freezer Door, Black
4	3850386016	A	Hinge Bushing, Black
7	3850492012	A	Handle, Black
8	3850499017	A	Control Knob, Black
9	3858040029	A	Screw, ELM 5x10, Black
11	2932583046	A	Door Shelf
12	3850445010	A	Door Shelf
13	2932577030	A	Door Shelf
17	2932658012	A	Bottle Holder
18	3850459011	A	Rack
19	3850446018	A	Door Shelf
20	2932722008	A	Label
	3850581004	A	Label, French
30	3850431010	A	Door Shelf, Wire
31	3850447016	A	Holder, Door Shelf, LH
32	3850447024	A	Holder, Door Shelf, RH
40	3850495015	A	Lock Bar
41	3850495023	A	Lock Bar
42	3850497011	A	Spring
43	3850496013	A	Plate
44	3858056041	A	Screw, MFX M4x12, Black
45	3850498019	A	Washer, Lock, Black
46	3858034048	A	Retaining Ring
50	3850775010	A	Door Stop
95	3850385026	A	Name Plate

Only Those Parts Identified With An Index Number Are Available For Service Replacement.

CABINET, EXTERIOR COMPONENTS

NDA1402 921148254 = A



NCMOB2069249

Only Those Parts Identified With An Index Number Are Available For Service Replacement.

CABINET, EXTERIOR COMPONENTS

NDA1402 921148254 = A

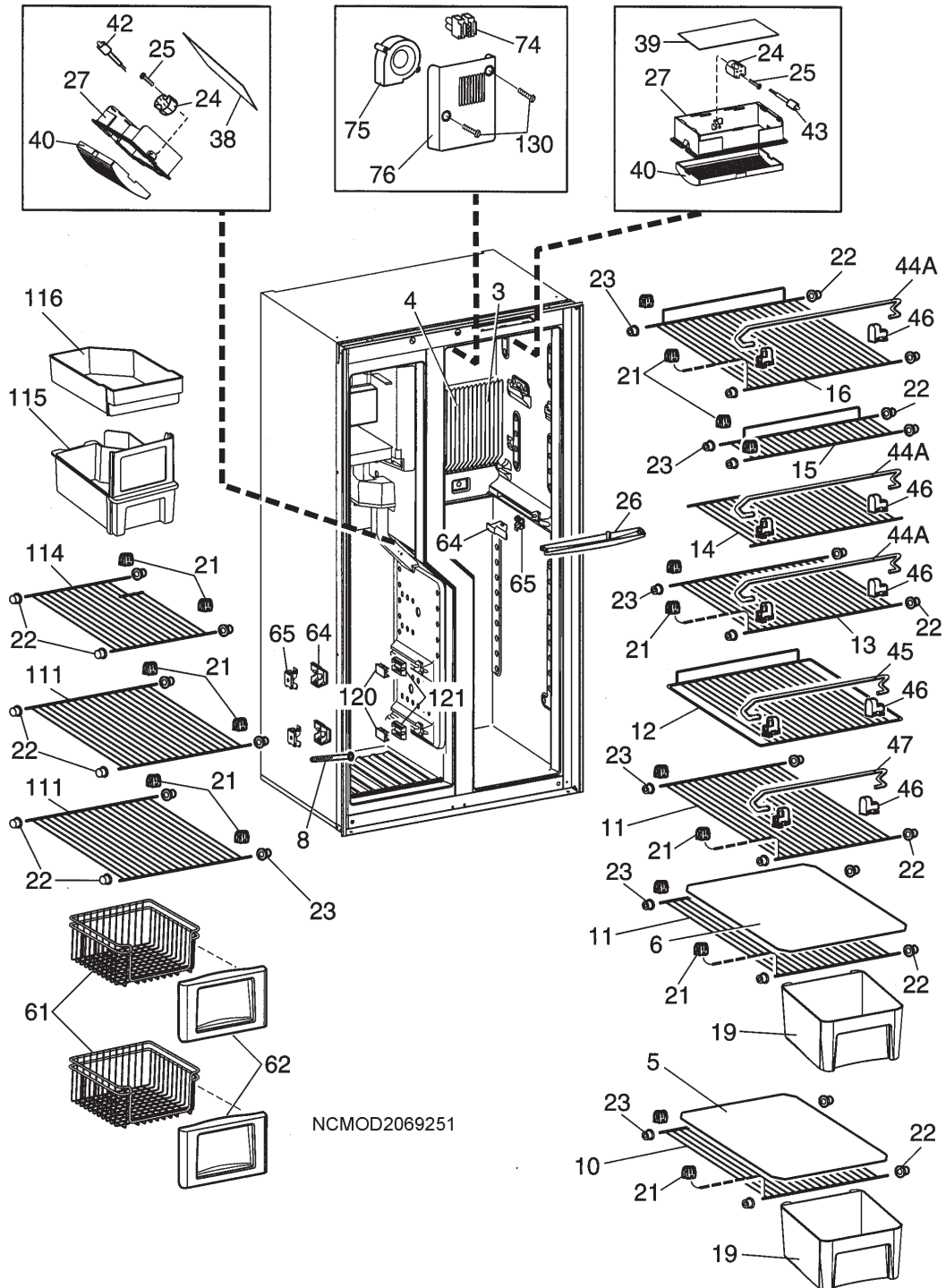
Index

No.	Part No.	A	Description
2	3850400015	A	Hinge Pin, Upper
4	3850398011	A	Hinge, Upper, Black
5	3850398029	A	Hinge, Upper, Black
10	2931715011	A	Lid
18	3850682018	A	Panel, Display Board, Black
21	3850403019	A	Front, Black
24	3858006012	A	Screw, PT PH4 x 10
33	3850461017	A	Holder, Lock Upper, Black
34	3850462015	A	Holder, Lock Lower, Black
36	3850397013	A	Hinge, Black
38	3850399019	A	Hinge Pin
39	3858010022	A	Washer, 5.5x12x1, Black
41	3850456017	A	Switch
60	2932664093	A	Base Cover, Black
81	2932078021	A	Plate, Freezer
86	3858004108	A	Screw, MRX 5x25, Stainless
97	3850693007	A	Instruction Plate
105	3858004041	A	Screw, MRX 4x6 FZ
106	3858039104	A	Screw, MRX-TT M4x10, Black
107	3858010113	A	Washer, BRB 6.4x12.5, Zinc
108	3858009057	A	Nut ML6 M6, Black

Only Those Parts Identified With An Index Number Are Available For Service Replacement.

CABINET, INTERIOR COMPONENTS

NDA1402 921148254 = A



Only Those Parts Identified With An Index Number Are Available For Service Replacement.

CABINET, INTERIOR COMPONENTS

NDA1402 921148254 = A

Index

No.	Part No.	A	Description
3	3850473020	A	Cooling Fins, RH
4	3850473038	A	Cooling Fins, LH
5	2931117192	A	Shelf, Plastic
6	2931117184	A	Shelf Plastic
8	2931714022	A	Outlet
10	3850435011	A	Shelf, D=310mm
11	3850436019	A	Shelf, D=346mm
12	3850437017	A	Shelf, D=386mm
13	3850438015	A	Shelf, D=223mm
14	3850440011	A	Shelf D=188mm
15	3850439013	A	Shelf, D=74mm
16	3850441019	A	Shelf, D=297mm
19	3850442017	A	Vegetable Box
21	2932102011	A	Shelf Support
22	2932101013	A	Plug
23	2932103019	A	Plug
24	3850454012	A	Lampholder
25	3858006046	A	Screw, PT 30x12
26	3850449012	A	Drip Protection
27	3850451018	A	Lamphousing
38	3850453022	A	Reflector, Lamp 5W
39	3850453014	A	Reflector, Lamp 10W
42	3850455027	A	Lamp Halogen G4, 12VDC-5W
43	2007290006	A	Lamp, G4 12VDC-10Watt
44A	2007337153	A	Rack
45	2007337237	A	Rack
46	2930693045	A	Holder
47	2007337245	A	Rack
61	3850430012	A	Wire Basket
62	3850444013	A	Front Wire Basket
64	3850484019	A	Holder Outer
65	3850485016	A	Holder Inner
74	3858062023	A	Terminal Block
75	3850486014	A	Fan
76	3850448014	A	Cover, Fan
111	3850433016	A	Shelf D=283mm
114	3850726013	A	Shelf D=258mm
115	3850752019	A	Ice Box Complete
116	3850655014	A	Box
120	2007393024	A	Stop Outside
121	2007392026	A	Stop Inside
130	3858039013	A	Screw, MRX-TT/SW 4x8

Only Those Parts Identified With An Index Number Are Available For Service Replacement.

CONTROL & BURNER COMPONENTS

NDA1402 921148254 = A

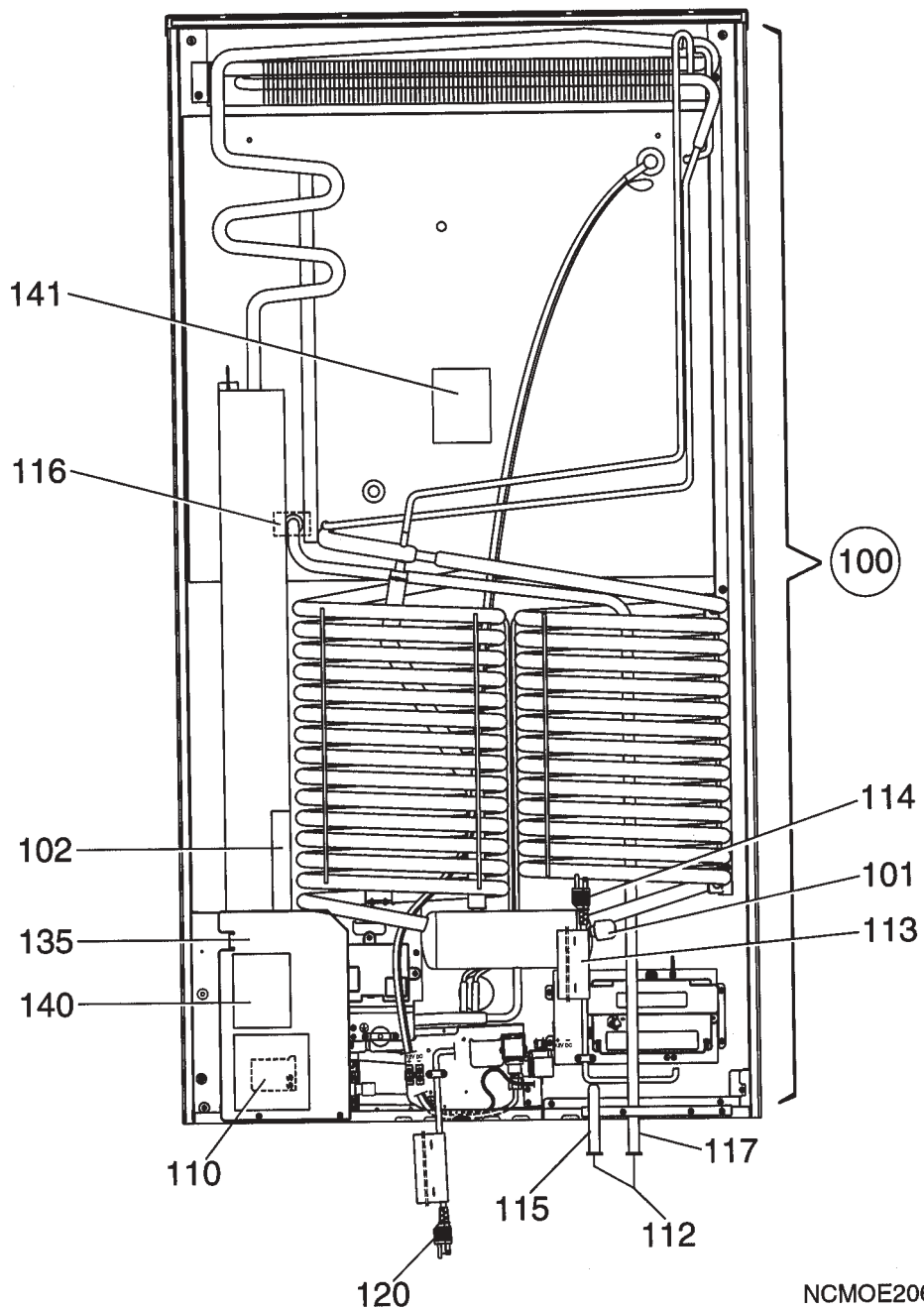
Index

No.	Part No.	A	Description
1	0140207044	A	Nut
17	3858039039	A	Screw, MRX M4x8, Zinc
18	2932161017	A	Burner Housing
19	3858002144	A	Screw, RXS B6x9.5, Zinc
20	2932615020	A	Solenoid Valve
21	3858002151	A	Screw, RXS B6x13, Zinc
25	3858010071	A	Washer, 12.51x18.5x1
31	0955001672	A	Burner Pipe, Complete
33	2932781020	A	Electrode, Complete
34	3858002052	A	Screw, RXS B6x6.5, Zinc
39	2932031020	A	Holder
40	2932032010	A	Holder
41	3850710017	A	Bracket
45	3850681010	A	Power Module, Universal
51	2007419332	A	Jet #76
54	2932667054	A	Flame Spreader
55	2932662014	A	Bracket
56	3858039047	A	Screw, MRX M4x10, Zinc
57	2932043017	A	Support Plate
68	0173772021	A	Heater, 210 Watt, 120VAC
70	2007457001	A	Washer, 0.5mm
72	3850708011	A	Burner, Control, 12VDC
84	3858022019	A	Terminal Block
85	3858002185	A	Screw, RXS B6x25, Zinc
89	3850777016	A	Bracket, Water Valve
90	2932342013	A	Cable Clamp
91	3858002177	A	Screw, RXS B6x19, Zinc
152	2931401018	A	Cover
160	2954547028	A	Conductor, Burner Control
161	2954557019	A	Conductor, Gas Solenoid
162	3850680012	A	Conductor, Thermistor, Refr
163	3850680020	A	Conductor, Thermistor, Frzr
164	2954555013	A	Harness

Only Those Parts Identified With An Index Number Are Available For Service Replacement.

CABINET, REAR VIEW

NDA1402 921148254 = A



Only Those Parts Identified With An Index Number Are Available For Service Replacement.

CABINET, REAR VIEW

NDA1402 921148254 = A

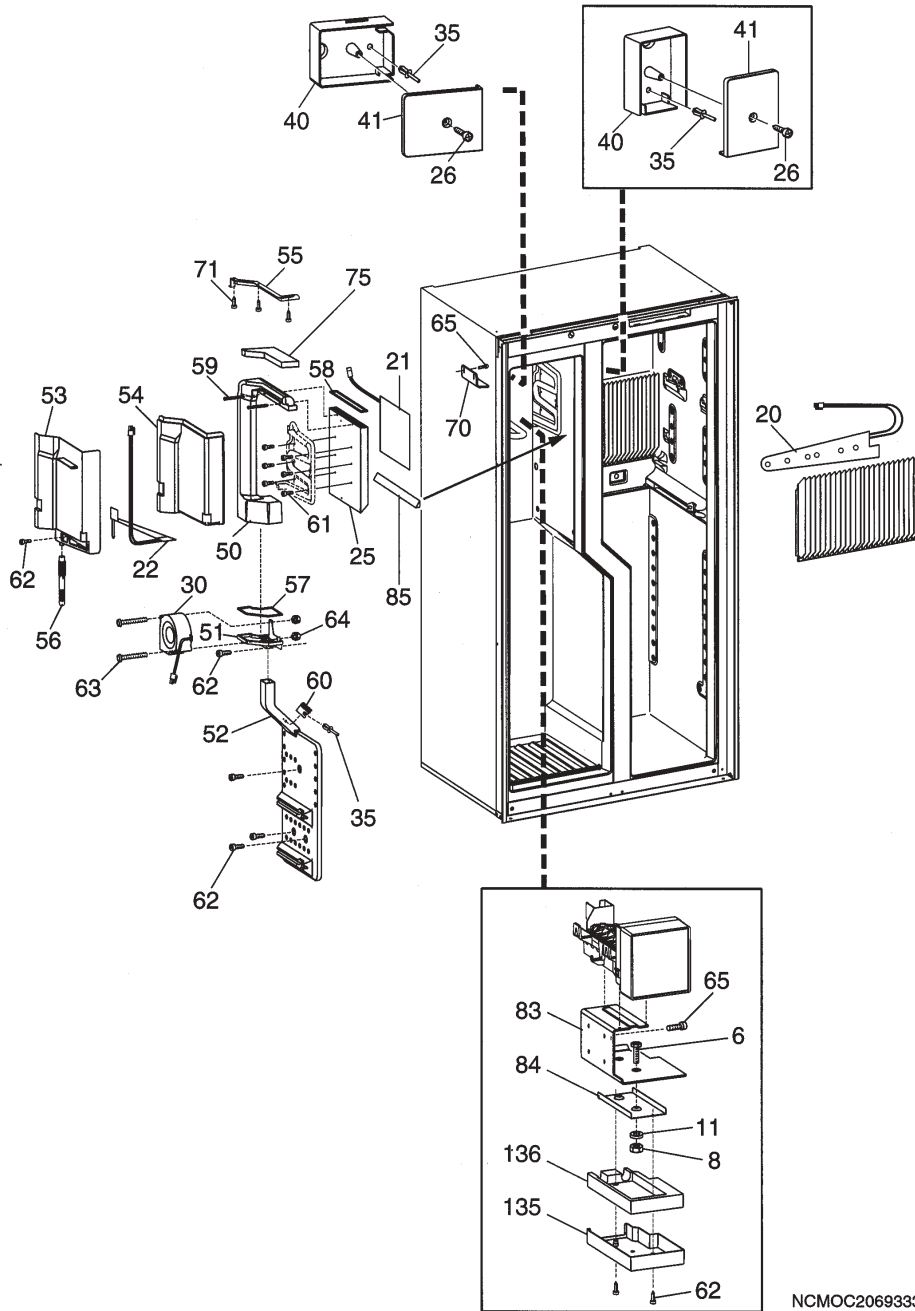
Index

No.	Part No.	A	Description
100	2934948106	A	Cooling Unit, Type 948, W/Thermal Fuse
101	0173228008	A	Cap
102	2933557023	A	Flap
110	3850600010	A	Protection, Blow out
112	2932115013	A	Discharge Pipe, Plug
113	2932733005	A	Label
114	2002699110	A	Cord Set
115	2932749035	A	Drain Hose L=580mm
116	2932635010	A	Drain
117	2932749100	A	Drain Hose L=1850mm
120	2002699177	A	Cord Set Befor SN/509XXXX
135	2932155019	A	Support Plate
140	3850582002	A	Label
141	3850583000	A	Label

Only Those Parts Identified With An Index Number Are Available For Service Replacement.

CABINET, FREEZER COMPONETS

NDA1402 921148254 = A



NCMOC2069333

Only Those Parts Identified With An Index Number Are Available For Service Replacement.

CABINET, FREEZER COMPONENTS

NDA1402 921148254 = A

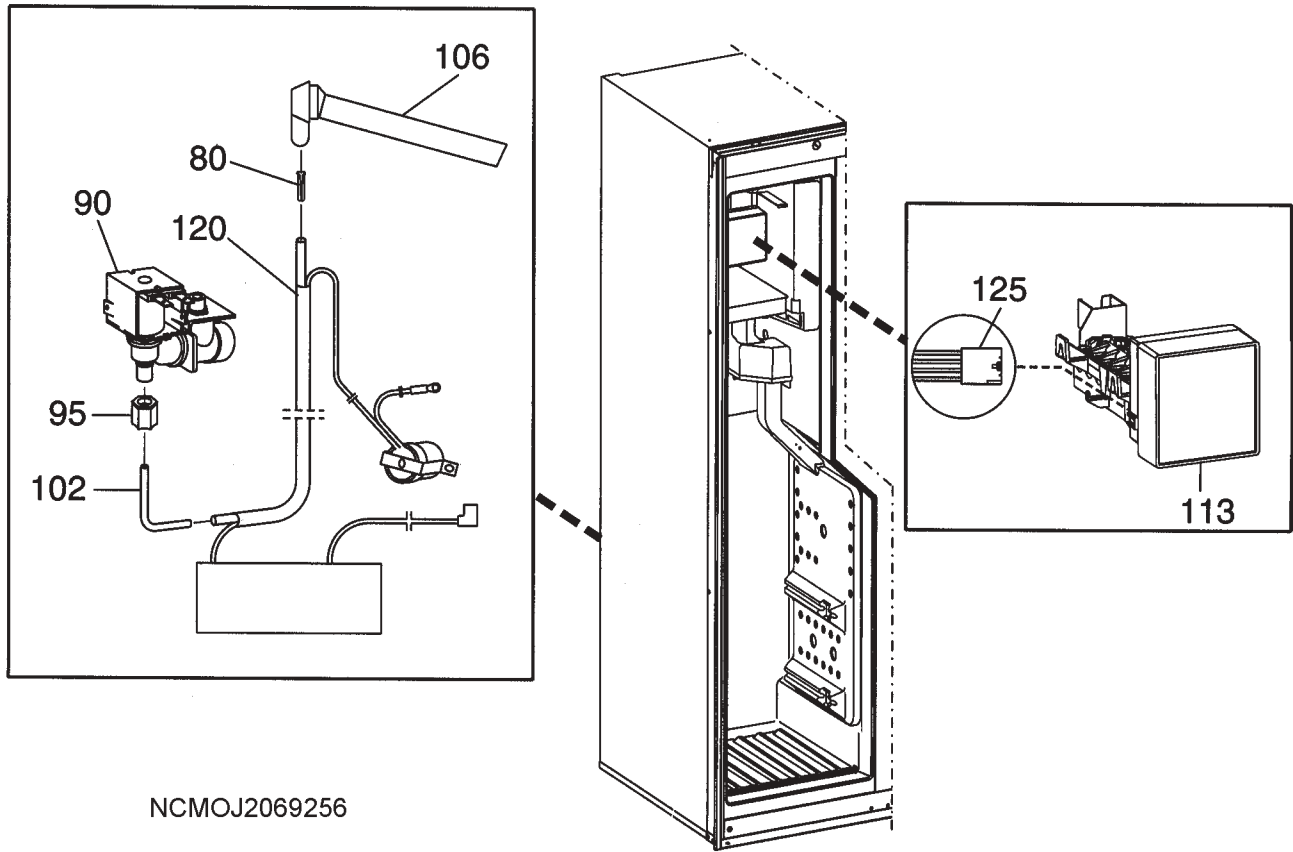
Index

No.	Part No.	A	Description
6	3858041027	A	Screw, M6S A2-80 5x25
8	3858009073	A	Nut, ML6 M5 Brass
11	3858010121	A	Washer, BRB 6.4x12.5 Stainless
20	3850674015	A	Heating Element, Colling Fins Refr
21	3850675012	A	Heating Element, Cooling Flange, Frzr
22	3850676010	A	Heating Element, Water Drain
25	3850629019	A	Cooling Flange Frzr
26	3858006046	A	Screw, PT 30x12
30	3850486022	A	Fan, Frzr
35	0165521030	A	Rivet, Expansion
40	3850677018	A	Terminal Box, Bottom
41	3850678016	A	Terminal Box Cover
50	3850648019	A	Suction Channel
51	3850649017	A	Motor Bracket
52	3850650015	A	Air, Distributor
53	3850651013	A	Cover, W/Drip Pan
54	3850652011	A	Insulation
55	3850656012	A	Support Strip
56	3850658018	A	Drainage Hose
57	3850659016	A	Sealing Strip
58	3850660014	A	Sealing Strip, Cooling Flange
59	3850661012	A	Locking Pin
60	3850679014	A	Bracket, Thermistor
61	3858040037	A	Screw, EML 5x12, Stainless
62	3858002268	A	Screw, RXS B8x19
63	3858004165	A	Screw, MRX M4x40, Stainless
64	3858028032	A	Lock Nut, M4, Stainless
65	3858004173	A	Screw, MRTX M4x10, Stainless
70	3850657010	A	Support
71	3858002235	A	Screw, RXS B6x9.5
75	3850896014	A	Insulation
83	3850666011	A	Shelf, Ice Maker
84	3850667019	A	Plate
85	3850734017	A	Sealing Strip
135	3850668017	A	Cover, Outer Insulation
136	3850669015	A	Insulating Plate

Only Those Parts Identified With An Index Number Are Available For Service Replacement.

ICE MAKER PARTS

NDA1402 921148254 = A



NCMOJ2069256

Only Those Parts Identified With An Index Number Are Available For Service Replacement.

ICE MAKER PARTS

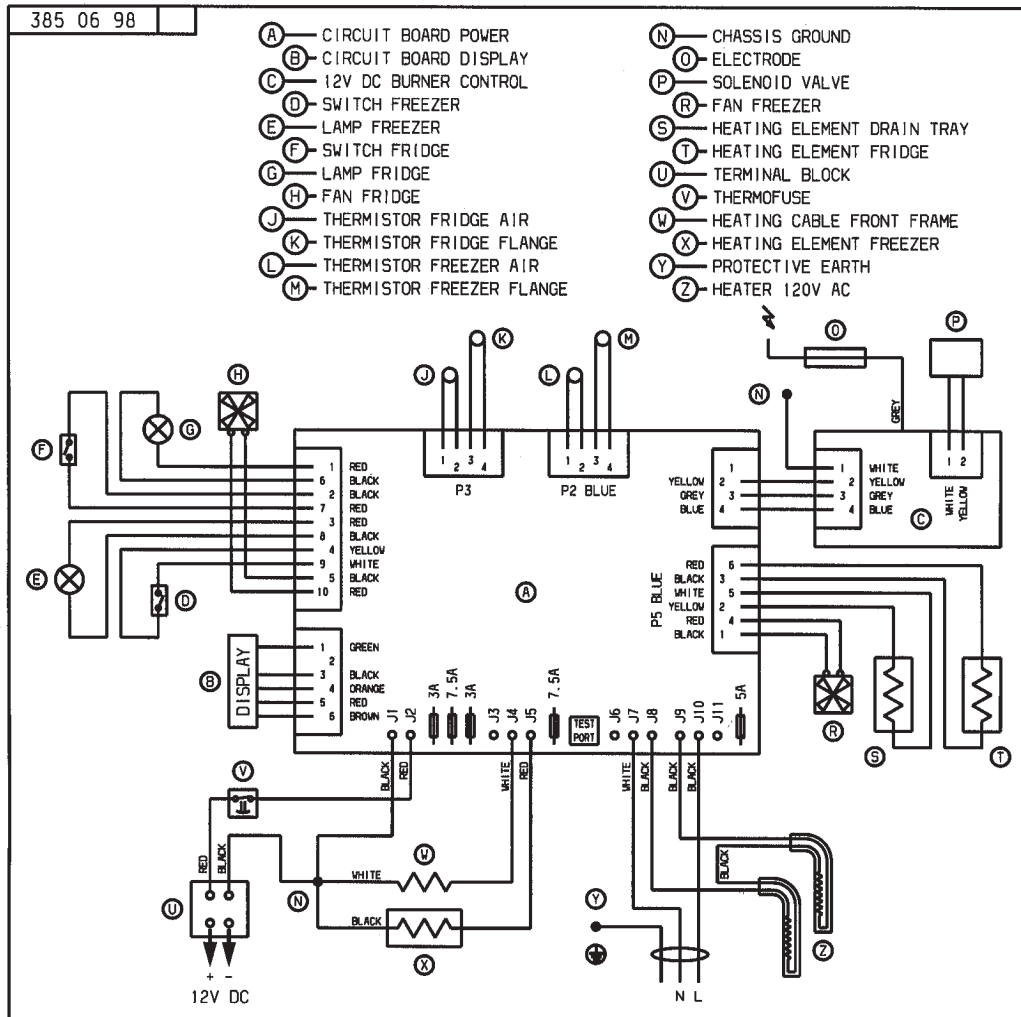
NDA1402 921148254 = A

Index

No.	Part No.	A	Description
80	2930841016	A	Insert
90	3108706.270	A	Valve, Water
95	2930839010	A	Nut
102	3850220017	A	Insert, Water inlet valve
106	3105349.009	A	Connection, Icemaker
113	2932147016	A	Ice Maker
120	3850688015	A	Kit, Heater Water Inlet valve
125	2954559015	A	Harness, Before SN/509XXXX
	2954559023	A	Harness, After SN/510XXXX

WIRING DIAGRAM

NDA1402 921148254

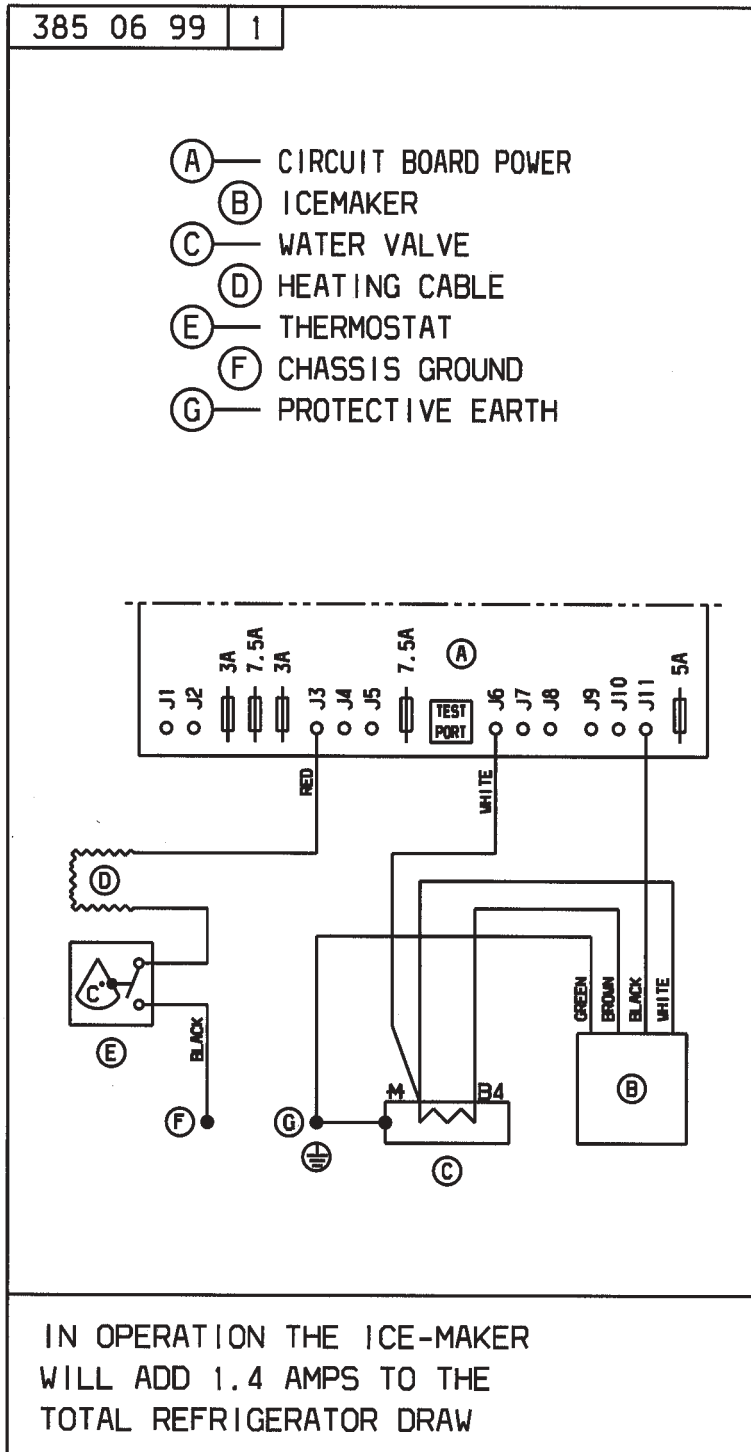


N38506980

Only Those Parts Identified With An Index Number Are Available For Service Replacement.

WIRING DIAGRAM

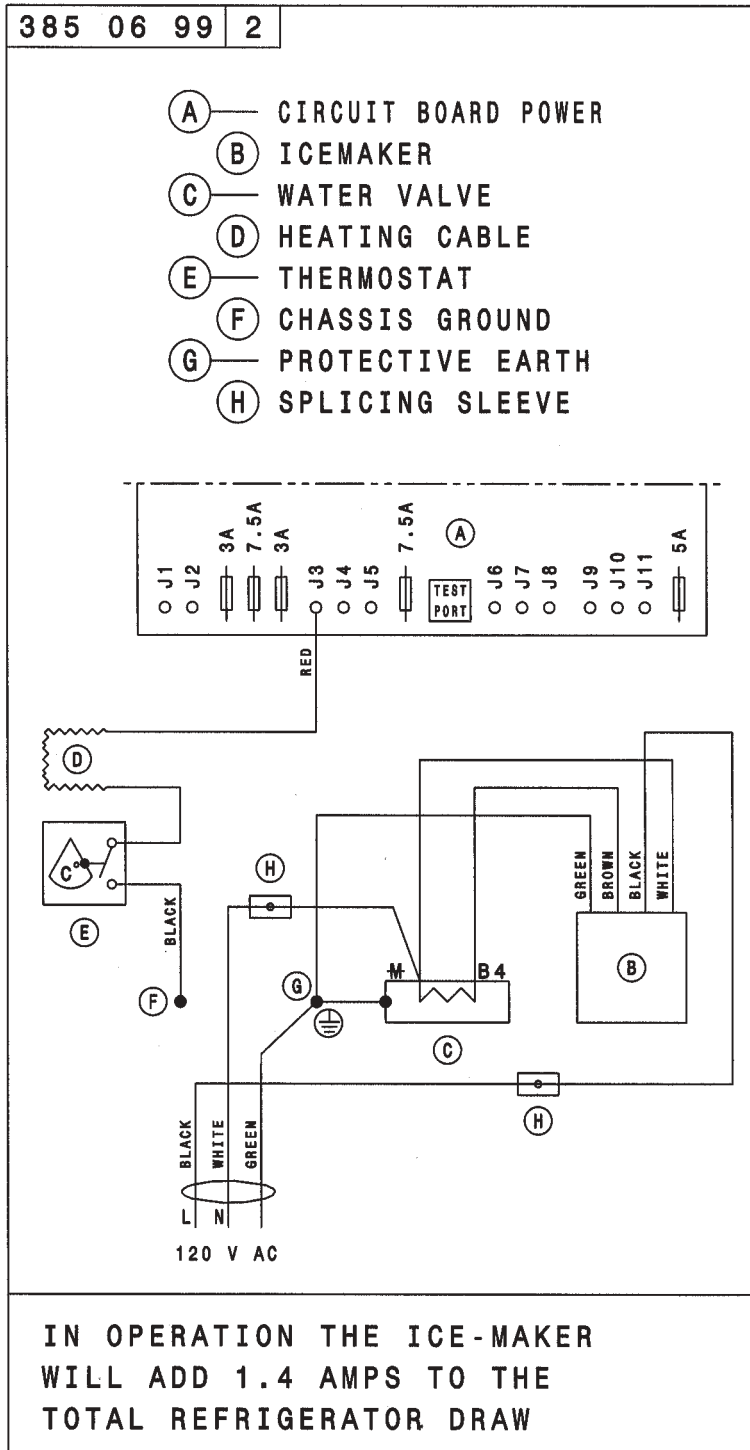
NDA1402 921148254 Before S/N509XXXX



N38506991

WIRING DIAGRAM

NDA1402 921148254 After S/N510XXXX



N138506992