



When ordering parts, always state:
 MODEL NO. - PRODUCT NO. - QUANTITY -
 PART NUMBER - DESCRIPTION
 For Electric Details also state:
 VOLTAGE - WATTAGE

CLASSIC

REFRIGERATOR MODEL RM2620

USA
 SERVICE OFFICE
 Dometic Corporation
 2320 Industrial Parkway
 Elkhart, IN 46516
 574-294-2511

CANADA
 Dometic Distribution
 866 Langs Drive
 Cambridge, Ontario
 CANADA N3H 2N7
 519-653-4390

**For Service Center
 Assistance Call:**
 800-544-4881

Product Number	Model	Voltage	Refrig. Frame Color	Door Style	Door/Door Trim Color	Market	Brand
921575012	RM2620	120VAC	Taupe	Standard	Taupe	USA, CAN	Dometic

PARTS LIST

**MODEL
RM2620
Series**

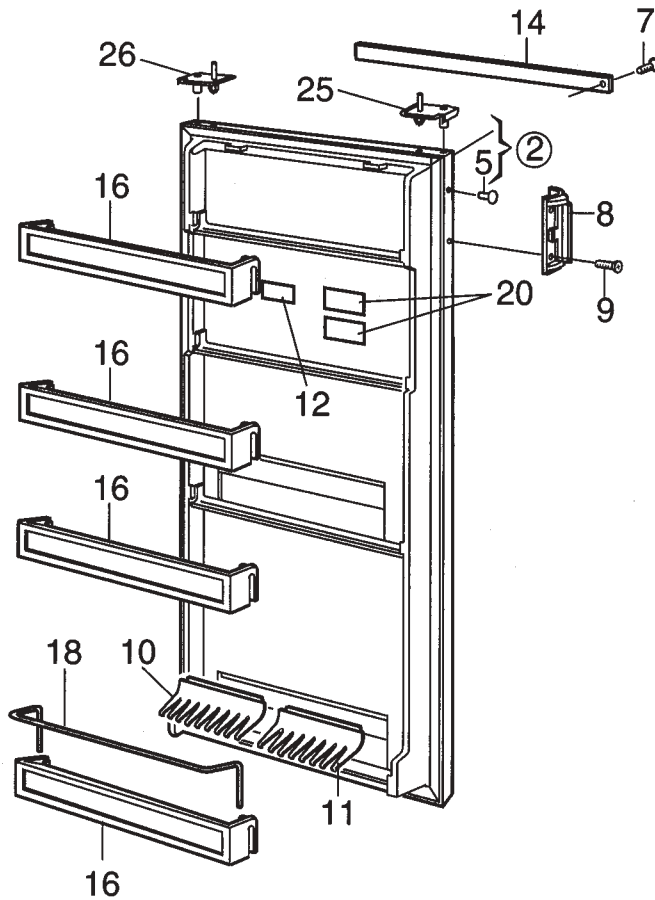
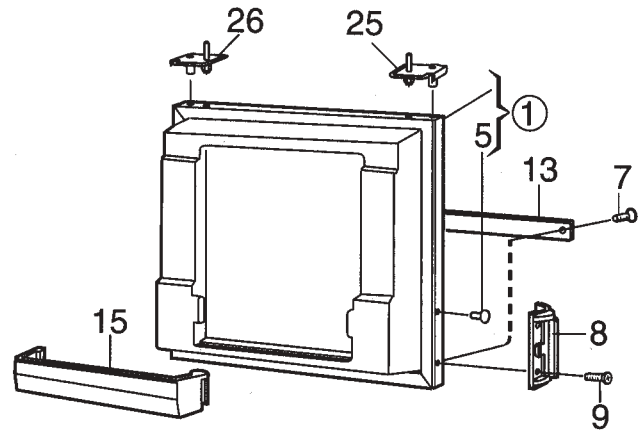
ALPHABETICAL INDEX

	Page#	Index#
Cabinet, Exterior Components	5-6	1-77
Cabinet, Interior Components	7-8	3-46
Cabinet, Rear View	11-12	100-144
Control & Burner Components	9-10	1-253
Door Assm.	3-4	1-26
Wiring Diagram	13	—

SPECIFICATIONS

Model	RM2620
Product Number*	921575012
Energy Source**	120 VAC, Gas
AC Heating Element	
Amperage	2.5
Ohm Resis. +/- 10%	48
Wattage	295
BTU's Gas Burner	1400
Jet Size	56
Flue Baffle	
Size	5-1/8" x 13/16"
Position Above Burner	1-7/8"
Ice Trays	0
Crispers	2
Bottle Holders	2
Climate Control Heater	
Watts	6
Ohms	24
Amperage	0.5
<p>* Product number located on refrigerator data plate.</p> <p>** 12 volt DC power is required to operate the refrigerator controls on all models.</p>	

DOOR ASSEMBLY



NCMOA2067058

Only Those Parts Identified With An Index Number Are Available For Service Replacement.

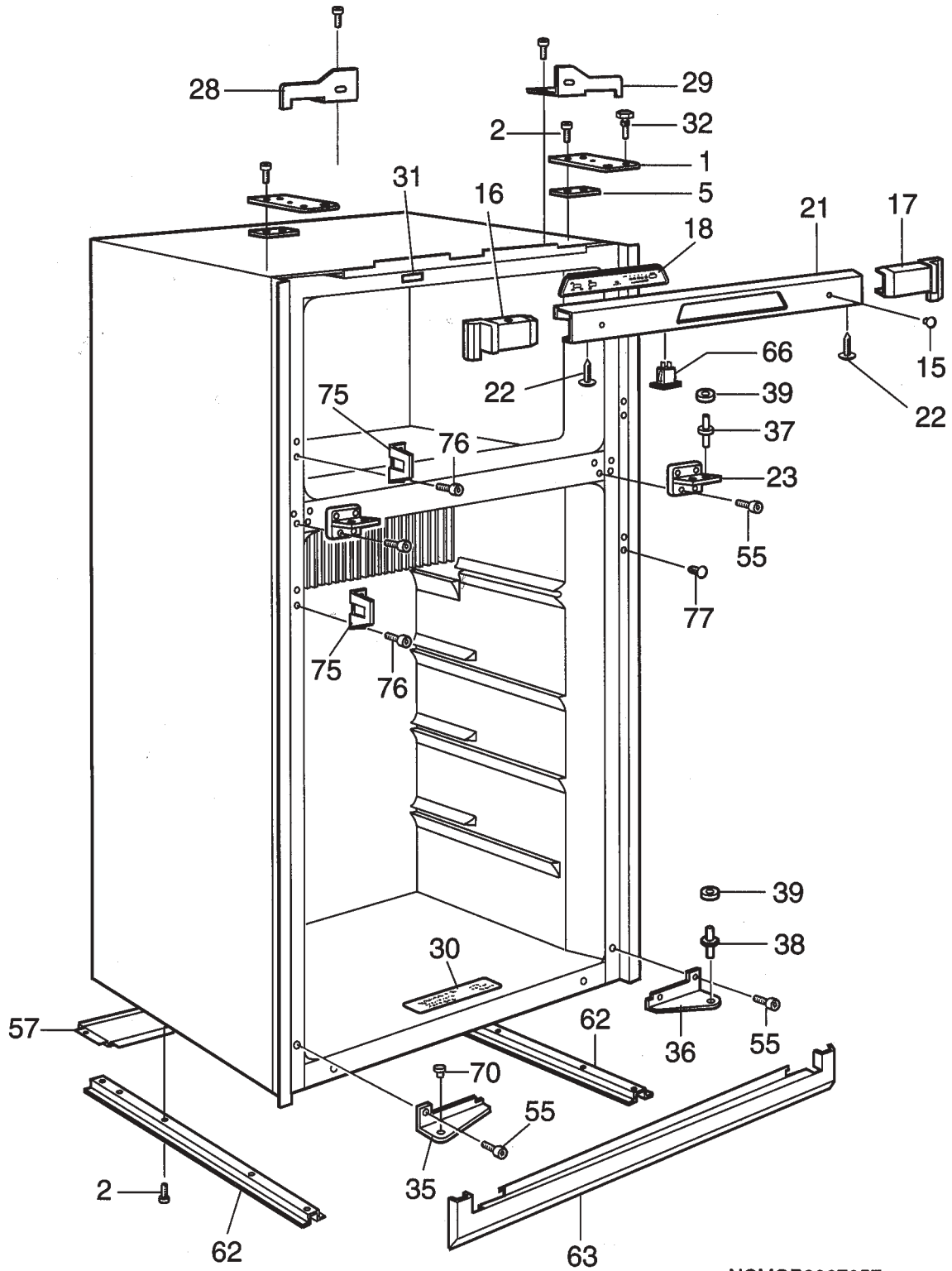
DOOR ASSEMBLY

RM2620 921575012 = A

INDEX	PART NUMBER	MODELS	DESCRIPTION
1	2931589150	A	Freezer Door
2	2931588186	A	Refrigerator Door
5	2931510032	A	Cover Washer
7	3858002110	A	Covering, Washer
8	2931600023	A	Handle, Complete
9	3858002102	A	Screw, RXS B4x9.5 Zinc
10	2930715053	A	Bottle Holder, 179mm
11	2930715061	A	Bottle Holder, 202mm
12	2930757006	A	Sign Plate
13	3850382015	A	Decoration
14	3850382049	A	Decoration
15	2931418038	A	Door Shelf
16	2000571253	A	Door Shelf
18	2001734025	A	Rack
20	2932722008	A	Label
	3850581004	A	Label, French
25	2931582015	A	Hinge Bushing
26	2931582023	A	Hinge Bushing

Only Those Parts Identified With An Index Number Are Available For Service Replacement.

CABINET, EXTERIOR COMPONENTS



NCMOB2067057

Only Those Parts Identified With An Index Number Are Available For Service Replacement.

CABINET, EXTERIOR COMPONENTS

RM2620 921575012 = A

INDEX	PART NUMBER	MODELS	DESCRIPTION
1	2931291013	A	Hinge, Upper
2	3858039096	A	Screw, MRX M5x14 Zinc
5	2931292011	A	Washer
15	2930132069	A	Plug
16	2931866020	A	Side Plate, LH
17	2931866012	A	Side Plate, RH
18	2932884014	A	Panel, Front Display Board
21	2931865121	A	Front
22	3858047016	A	Screw W/washer
23	2931289017	A	Hinge, Middle
28	2932125020	A	Bracket LH
29	2932125012	A	Bracket RH
30	2932435007	A	Instruction Plate
31	2932779008	A	Label
32	2931288019	A	Hinge, Pin
35	2932111012	A	Hinge, LH
36	2932111020	A	Hinge, RH
37	2931287011	A	Hinge Pin, Middle
38	2931623017	A	Hinge Pin
39	3858010089	A	Washer, 5.5x12x1 Zinc
55	3858056017	A	Screw, MFX M4x12, Zinc
57	2930664012	A	Protctive Plate
62	2932110014	A	Runner
63	2932112036	A	Case Cover
66	2932680016	A	Switch
70	2931284026	A	Plug, Dark Gray
75	2931511014	A	Bracket
76	3858002094	A	Screw, RXS B4x6.5, Zinc
77	2931510032	A	Covering Washer, Plastic

Only Those Parts Identified With An Index Number Are Available For Service Replacement.

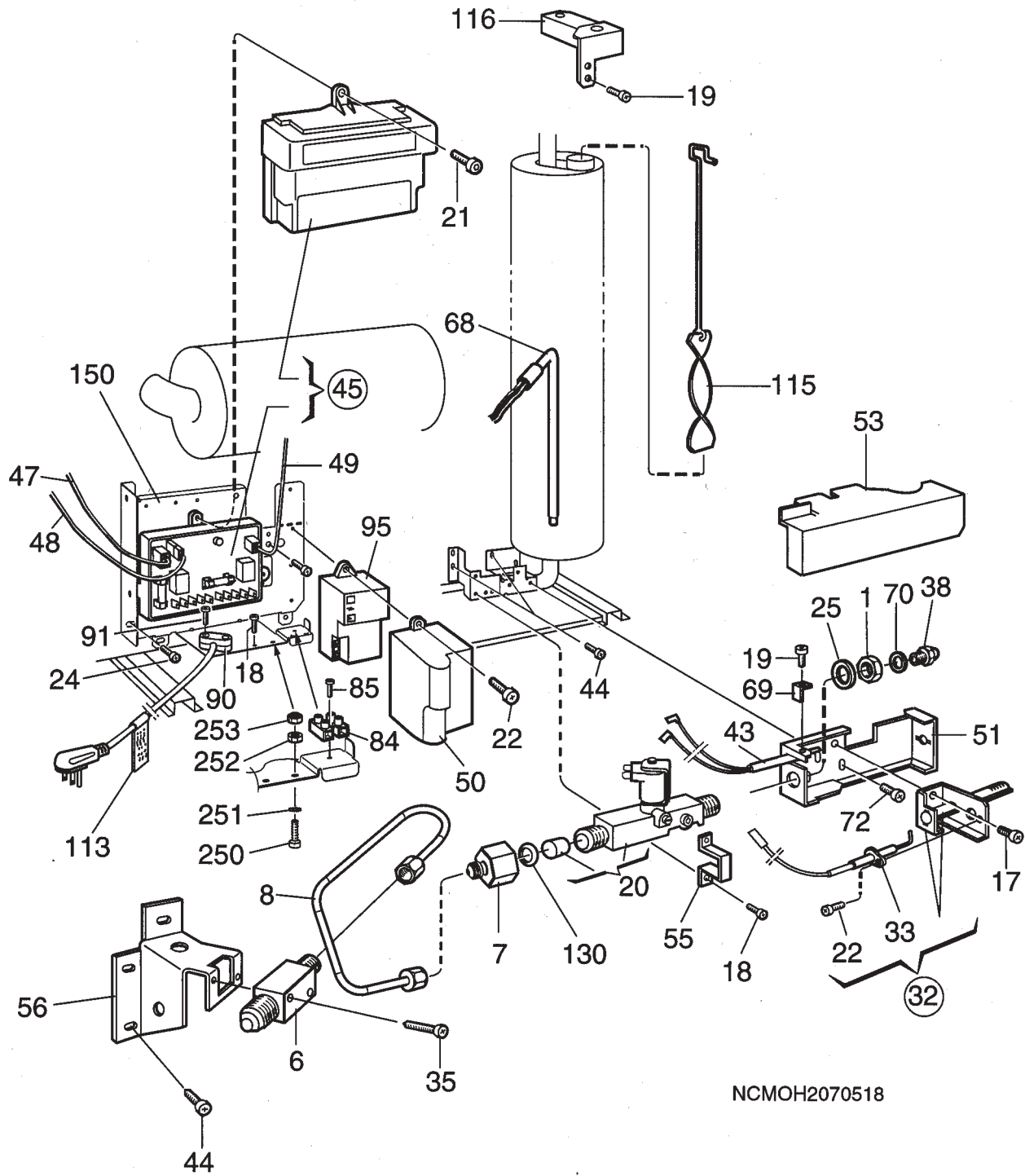
CABINET, INTERIOR COMPONENTS

RM2620 921575012 = A

INDEX	PART NUMBER	MODELS	DESCRIPTION
3	2007535020	A	Shelf
4	2007351006	A	Cooling Fins
5	2931117044	A	Shelf, Plastic
6	3858041019	A	Screw, M6X M5x20, Brass-Nickel
7	2002652416	A	Shelf
8	3858009073	A	Nut, ML6 M5, Brass-Nickel
9	2007649011	A	Plate
10	3858036019	A	Screw, KFXS B10x38
11	2930133141	A	Shelf
12	2002652408	A	Shelf
13	2007393024	A	Stop, Outside
14	2007392026	A	Stop, Inside
15	2002652341	A	Shelf
18	2002726061	A	Vegetable Box
19	2930136011	A	Box
26	2931869016	A	Drip Tray
27	2932523018	A	Lampholder
32	2932108018	A	Contact Pin
36	2932456011	A	Bracket, Thermistor
40	2932106012	A	Lamp Cover
41	2940825009	A	Switch
42	2930487000	A	Lid
43	2007290006	A	Lamp, 10W-12VDC
44	2007337138	A	Rack, L=381mm
45	2007337120	A	Rack
46	2930693045	A	Holder

Only Those Parts Identified With An Index Number Are Available For Service Replacement.

CONTROL & BURNER COMPONENTS



NCMOH2070518

Only Those Parts Identified With An Index Number Are Available For Service Replacement.

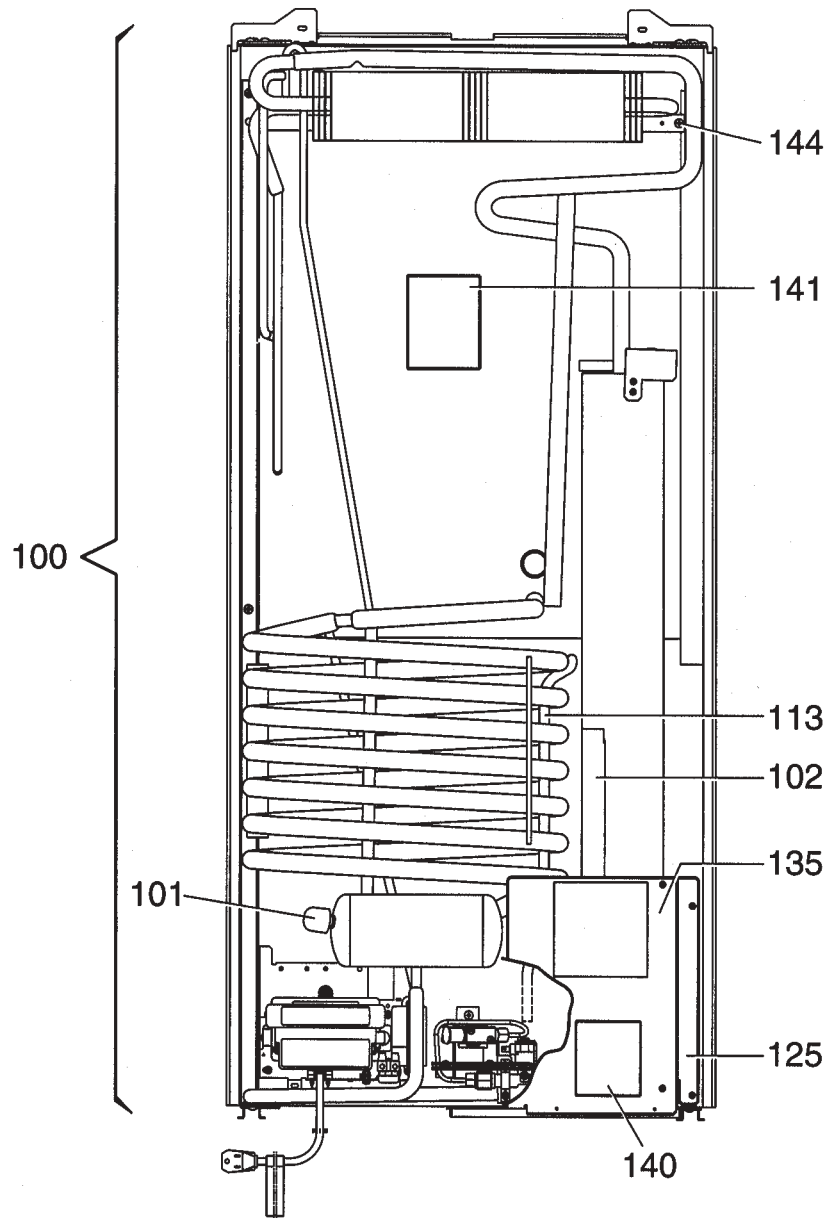
CONTROL & BURNER COMPONENTS

RM2620 921575012 = A

INDEX	PART NUMBER	MODELS	DESCRIPTION
1	0140207044	A	Nut
6	3850665013	A	Nipple, Gas Connection
7	3850663018	A	Nipple
8	3850662010	A	Gas Pipe
17	3858039039	A	Screw, MRX M4x8, Zinc
18	3858039047	A	Screw, MRX M4x10, Zinc
19	3858002144	A	Screw, RXS B6x9.5, Zinc
20	2932615012	A	Solenoid Valve
21	3858002151	A	Screw, RXS B6x13, Zinc
22	3858005014	A	Screw, RXK B6x9.5, Zinc
24	3858020021	A	Screw, B8x25, Zinc
25	3858010071	A	Washer, 12.5x18.5x1
32	2930697095	A	Burner W/Conductor
33	2932781012	A	Electrode W/Conductor
35	3858039070	A	Screw, M4x25, Zinc
38	2007419209	A	Jet #56
43	2931826016	A	Thermocouple
44	3858039096	A	Screw, MRX M5x14, Zinc
45	3850415013	A	Power Module, Universal
47	2954542011	A	Conductor PCB
48	2931863035	A	Conductor, Thermistor
49	2954539017	A	Conductor, Solenoid Valve
50	2931886010	A	Cover
51	2931913012	A	Burner Housing
53	2931572016	A	Cover, Burner Housing
55	2932662014	A	Bracket
56	2932116011	A	Mounting Plate
68	0173768078	A	Heater, 120VAC-295W
69	2930660010	A	Fixing Bracket
70	2007457001	A	Washer, 0.5mm
72	3858039021	A	Screw, MRX M4x6, Zinc
84	3858022019	A	Terminal Block
85	3858002185	A	Screw, RXS B6x25, Zinc
90	0561014010	A	Cable Clamp
91	3858002177	A	Screw, RXS B6x19, Zinc
95	2931132027	A	Spark Generator
113	2932733005	A	Label
115	2007590058	A	Baffle
116	2931540013	A	Flue
130	2930500000	A	Washer, Copper
150	3850337019	A	Bracket
250	3858004033	A	Screw, MRX M4x16, Zinc
251	3858011012	A	Lock Washer, 4.3x8, Zinc
252	3858009016	A	Hexagon Nut, M4x3.2, Zinc
253	3858028024	A	Lock Nut, M4, Zinc

Only Those Parts Identified With An Index Number Are Available For Service Replacement.

CABINET, REAR VIEW



NCMOE2071195

Only Those Parts Identified With An Index Number Are Available For Service Replacement.

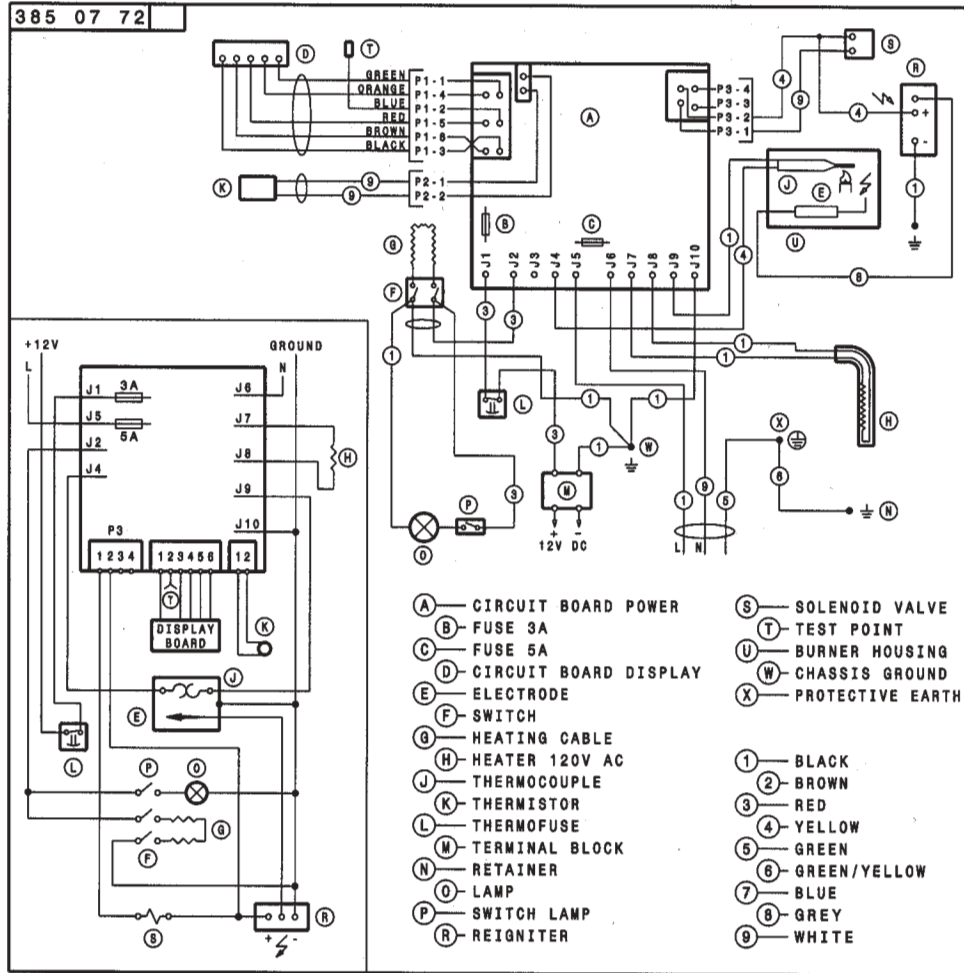
CABINET, REAR VIEW**RM2620 921575012 = A**

INDEX	PART NUMBER	MODELS	DESCRIPTION
100	2934809100	A	Cooling UnitType 809, W/Thermofuse
101	0173228008	A	Cap
102	2933557015	A	Cover
113	2932221027	A	Drain Hose
125	2930784018	A	Protective Plate
135	2930785015	A	Protective Plate
140	3850582002	A	Label
141	3850583000	A	Label
144	3858039096	A	Screw, MRX M5x14, Zinc

Only Those Parts Identified With An Index Number Are Available For Service Replacement.

WIRING DIAGRAM

RM2620 921575012



N38507720