



When ordering parts, always state:
 MODEL NO. - PRODUCT NO. - QUANTITY -
 PART NUMBER - DESCRIPTION
 For Electric Details also state:
 VOLTAGE - WATTAGE

AMERICANA

REFRIGERATOR MODEL RM2852

USA
 SERVICE OFFICE
 Dometic Corporation
 2320 Industrial Parkway
 Elkhart, IN 46516
 574-294-2511

CANADA
 Dometic Distribution
 866 Langs Drive
 Cambridge, Ontario
 CANADA N3H 2N7
 519-653-4390

**For Service Center
 Assistance Call:**
 800-544-4881

Product Number	Model	Voltage	Refrig. Frame Color	Door Style	Door/Door Trim Color	Market	Brand
921146127	RM2852	120VAC	Black	Standard	Black	USA, CAN	Dometic
921146128	RM2852	120VAC	Black	Standard	Black	USA, CAN	Dometic

PARTS LIST

**MODEL
RM2852
Series**

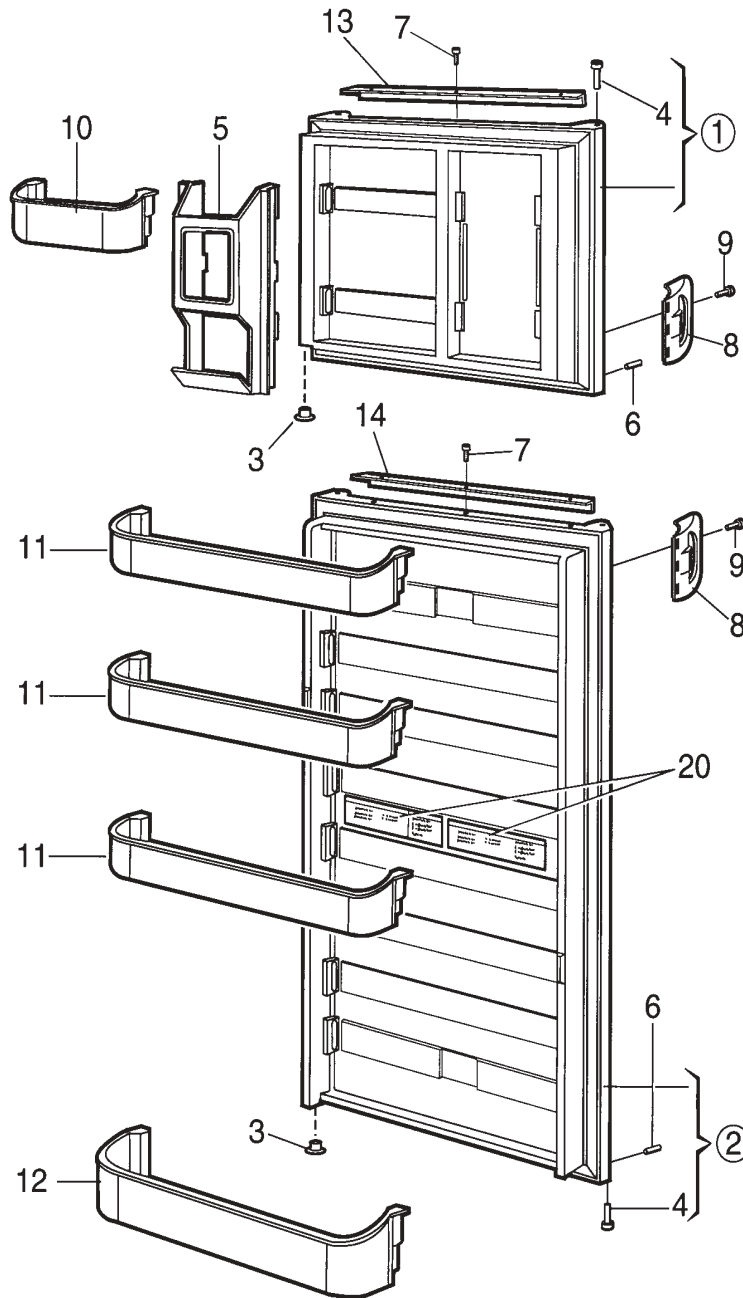
ALPHABETICAL INDEX

	Page#	Index#
Cabinet, Exterior Components	5-6	1-999
Cabinet, Interior Components	7-8	3-43
Cabinet, Rear View	11-12	100-141
Control & Burner Components	9-10	1-153
Door Assm.	3-4	1-20
Wiring Diagram	13	—

SPECIFICATIONS

Model	RM2852
Product Number*	921146127 921146128
Energy Source**	120 VAC, Gas
AC Heating Element	
Amperage	2.7
Ohm Resis. +/- 10%	44
Wattage	325
BTU's Gas Burner	1500
Jet Size	58
Flue Baffle	
Size	5-1/8" x 13/16"
Position Above Burner	1-7/8"
Ice Trays	0
Crispers	2
Bottle Holders	0
Climate Control Heater	
Watts	6
Ohms	24
Amperage	0.5
<p>* Product number located on refrigerator data plate. ** 12 volt DC power is required to operate the refrigerator controls on all models.</p>	

DOOR ASSEMBLY



NCMOA2060906

Only Those Parts Identified With An Index Number Are Available For Service Replacement.

DOOR ASSEMBLY

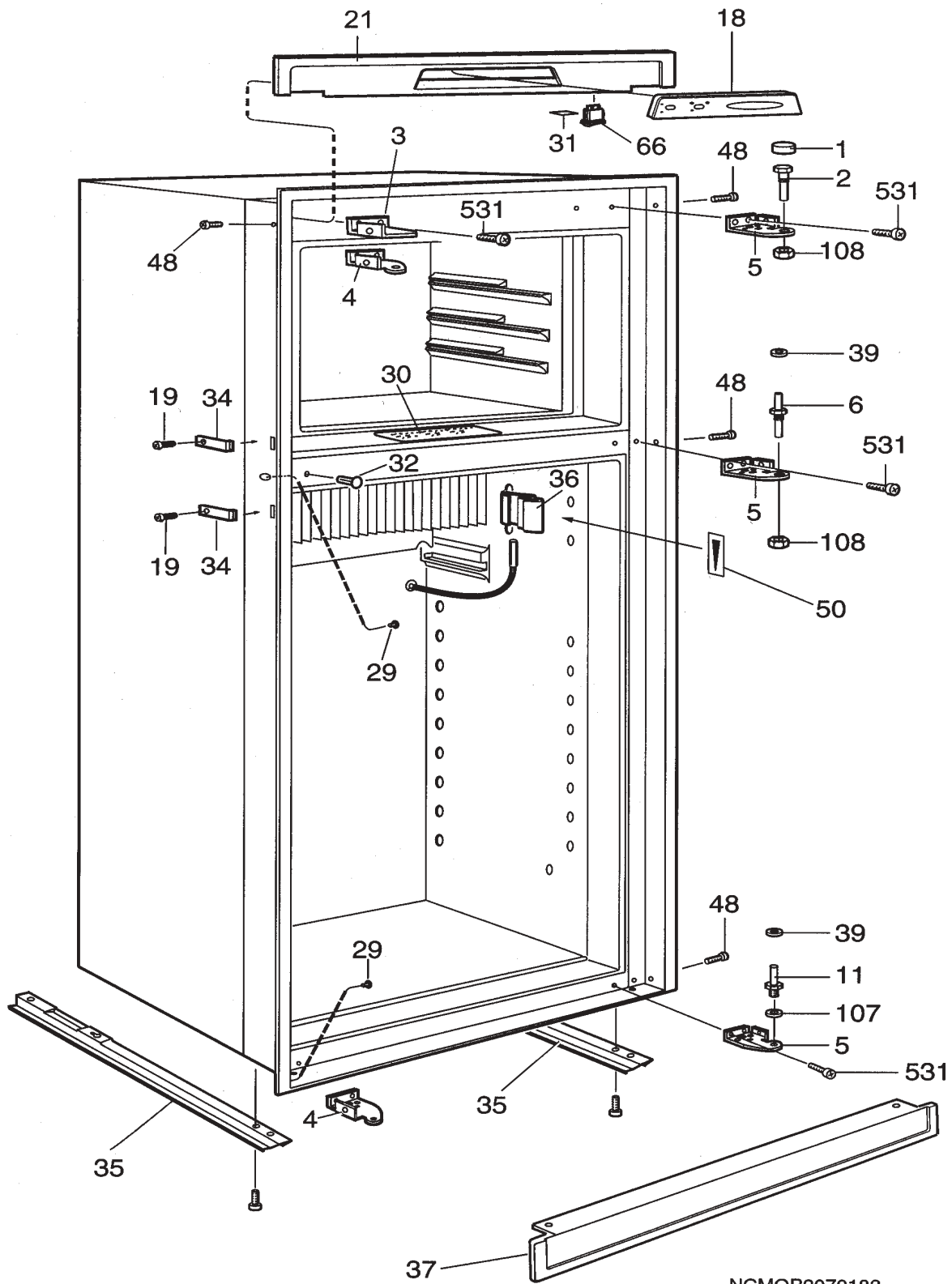
RM2852 921146127 = A

RM2852 921146128 = B

INDEX	PART NUMBER	MODELS	DESCRIPTION
1	2932561208	A --	Freezer Door LH - Black
	2932561190	-- B	Freezer Door RH - Black
2	2932562057	A --	Refrigerator Door LH - Black
	2932562065	-- B	Refrigerator Door RH - Black
3	2932740018	A B	Cover Washer
4	2931171066	A B	Hinge Bushing, Black
5	2932578020	A B	Holder
6	2932588011	A B	Stopper
7	3858002102	A B	Screw, RXS B4x9.5, Zinc
8	2932093038	A B	Handle, Black
9	3858000049	A B	Screw, PT 50x26, Black
10	2932577014	A B	Door Shelf
11	2932576016	A B	Door Shelf
12	2932575018	A B	Bottle Shelf
13	3850381165	A B	Decoration, Black
14	3850381322	A B	Decoration, W/logo, Black
20	2932722008	A B	Label
	3850581004	A B	Label, French

Only Those Parts Identified With An Index Number Are Available For Service Replacement.

CABINET, EXTERIOR COMPONENTS



NCMOB2070183

Only Those Parts Identified With An Index Number Are Available For Service Replacement.

CABINET, EXTERIOR COMPONENTS

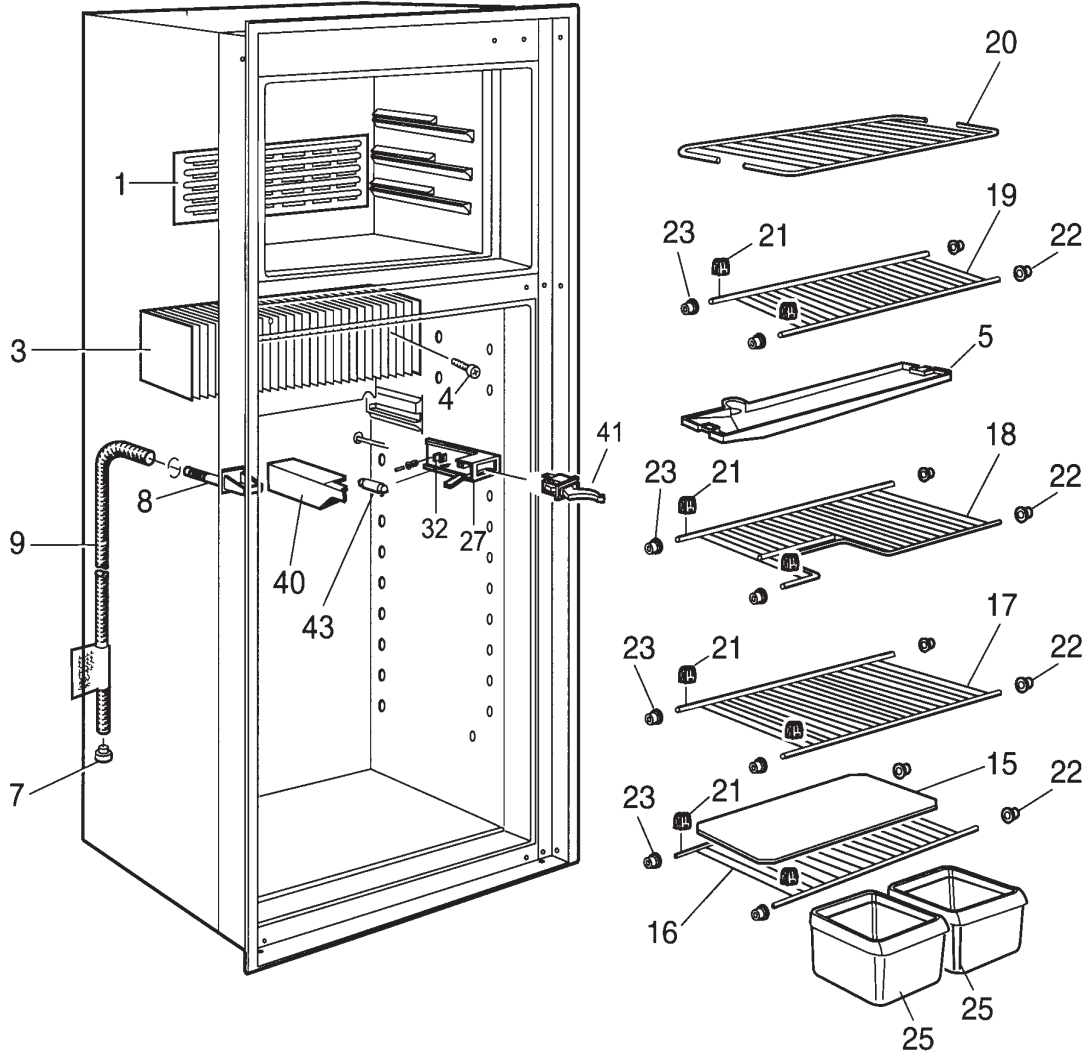
RM2852 921146127 = A

RM2852 921146128 = B

INDEX	PART NUMBER	MODELS	DESCRIPTION
1	2932736081	A B	Cover, Black
2	2932647015	A B	Hinge Pin, Upper
3	2932644046	A --	Bracket, RH - Black
	2932644038	-- B	Bracket, LH, Black
4	2932643048	A --	Hinge, Black
5	2932643030	A B	Hinge, Black
6	2932648021	A B	Hinge Pin, Black
11	2932649011	A B	Hinge Pin, Lower
18	2932771021	A B	Panel Display Board, Black
19	3858002052	A B	Screw, RXS B6x6.5, Zinc
21	2932641034	A B	Front, black
29	2930740077	A B	Cover, Black
30	2932776004	A B	Instructions
31	2932779008	A B	Label
32	3850585039	A B	Plug, Black
34	2932855014	A B	Fastening Bow
35	2932660018	A B	Rail
36	2932456029	A B	Bracket, Thermistor
37	2932690049	A B	Base Cover, Black
39	3858010022	A B	Washer, 5.5x12x1 Black
48	3858004058	A B	Screw, MRX M4x4, Zinc
50	3850774013	A B	Label
66	2932680016	A B	Switch
107	3858010113	A B	Washer, BRB 6.4x12.5 Zinc
108	3858009057	A B	Nut ML6 M6, Black
531	3858039047	A B	Screw MRXM4x10
999	2932750124	A --	Door Reversing Kit LH-RH, Black (Not Shown)
	2932750116	-- B	Door Reversing Kit RH-LH, Black (Not Shown)

Only Those Parts Identified With An Index Number Are Available For Service Replacement.

CABINET, INTERIOR COMPONENTS



NCMOD2047546

Only Those Parts Identified With An Index Number Are Available For Service Replacement.

CABINET, INTERIOR COMPONENTS

RM2852 921146127 = A

RM2852 921146128 = B

INDEX	PART NUMBER	MODELS	DESCRIPTION
1	2932728013	A B	Coverplate
3	2932630011	A B	Cooling Fins
4	3858036019	A B	Screw, KFXS B10x38, Zinc
5	2932624014	A B	Evaporation Tray
7	2932115013	A B	Discharge Pipe, Plug
8	2932635010	A B	Drain
9	2932749019	A B	Drain Hose
15	2931117176	A B	Shelf, Plastic
16	3850324025	A B	Grating Shelf
17	3850324017	A B	Grating Shelf
18	3850325014	A B	Grating Shelf
19	3850324033	A B	Grating Shelf
20	2932627025	A B	Grating Shelf
21	2932102011	A B	Shelf Support
22	2932101013	A B	Plug
23	2932103019	A B	Plug
25	2932621010	A B	Crisper Drawer
27	2932523018	A B	Lampholder
32	2932108018	A B	Contact Pin
40	2932106012	A B	Lamp Cover
41	2932665017	A B	Switch
43	2007290006	A B	Lamp 10W, 12VDC

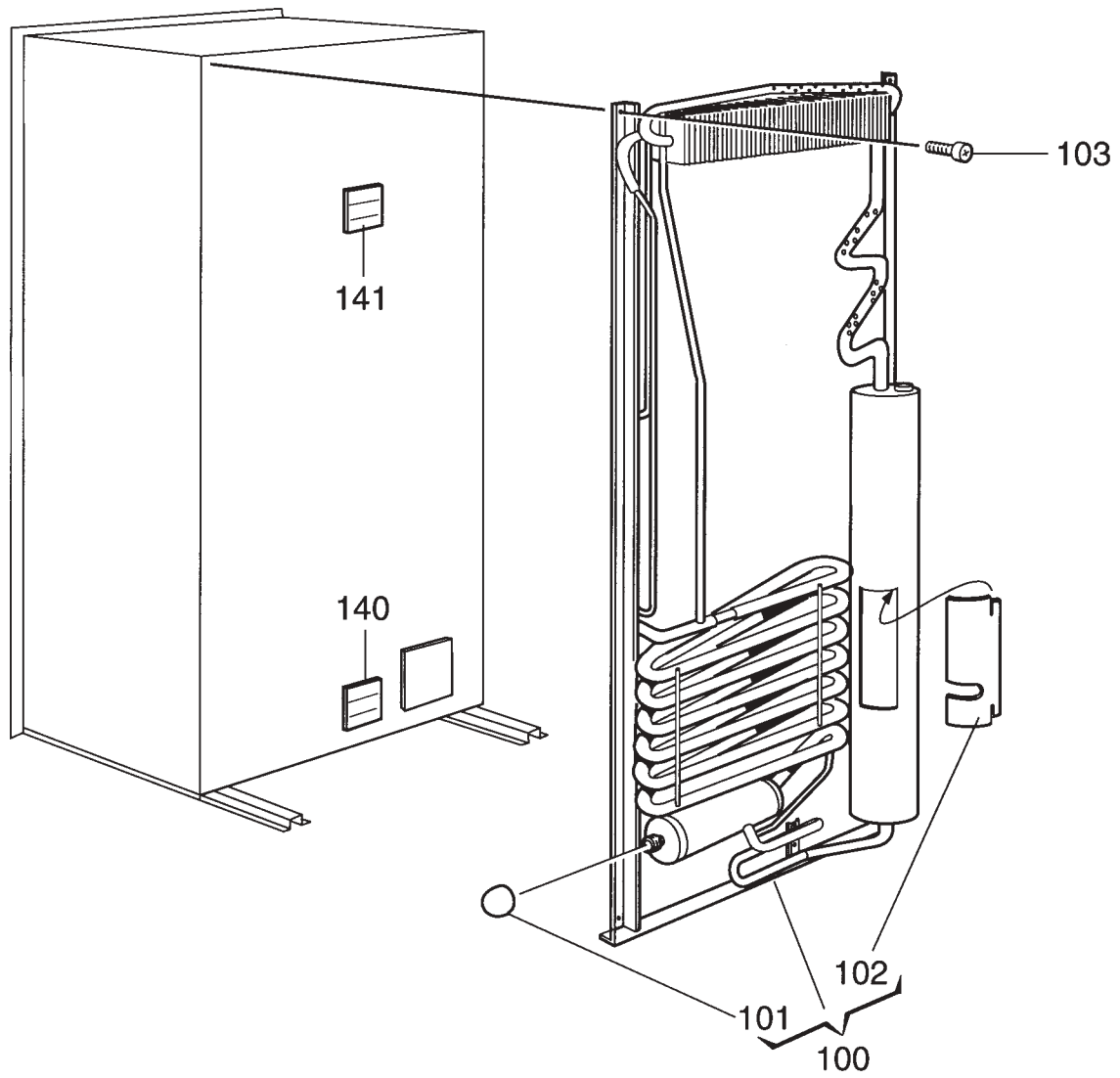
Only Those Parts Identified With An Index Number Are Available For Service Replacement.

CONTROL & BURNER COMPONENTS

INDEX	PART NUMBER	MODELS		DESCRIPTION
		RM2852 921146127 = A	RM2852 921146128 = B	
1	0140207044	A	B	Nut
10	2932603018	A	B	Burner Housing
17	3858039039	A	B	Screw, MRX M4x8, Zinc
18	3858039047	A	B	Screw, MRX M4x10, Zinc
19	3858002144	A	B	Screw, RXS B6x9.5, Zinc
20	2932615012	A	B	Solenoid Valve
21	3858002151	A	B	Screw, RXS B6x13, Zinc
22	3858005014	A	B	Screw, RXK B6x9.5, Zinc
25	3858010071	A	B	Washer, 12.5x18.5x1
32	2930697079	A	B	Burner W/Conductor
33	2932781012	A	B	Electrode W/Conductor
38	2007419217	A	B	Jet #58
43	2932052018	A	B	Thermocouple
44	2801043015	A	B	Nut
45	3850415013	A	B	Power Module, Universal
47	2954542037	A	B	Conductor PCB
48	2931863035	A	B	Conductor, Thermistor
49	2954539017	A	B	Conductor, Solenoid Valve
50	2931886010	A	B	Cover
53	2931572016	A	B	Cover. Burner Housing
55	2932662014	A	B	Bracket
68	0173768037	A	B	Heater, 120VAC-325W
70	2007457001	A	B	Washer, 0.5mm
84	3858022019	A	B	Terminal Block
85	3858002185	A	B	Screw, RXS B6x25, Zinc
91	3858002177	A	B	Screw, RXS B6x19, Zinc
95	2931132027	A	B	Spark Generator
113	2932733005	A	B	Label
115	2932667047	A	B	Baffle
150	3850337019	A	B	Bracket
151	0561014010	A	B	Cable Clamp
152	3850377015	A	B	Retainer, solenoid Valve
153	3858018017	A	B	Screw, M5x25, Zinc

Only Those Parts Identified With An Index Number Are Available For Service Replacement.

CABINET, REAR VIEW



NCMOE2060737

Only Those Parts Identified With An Index Number Are Available For Service Replacement.

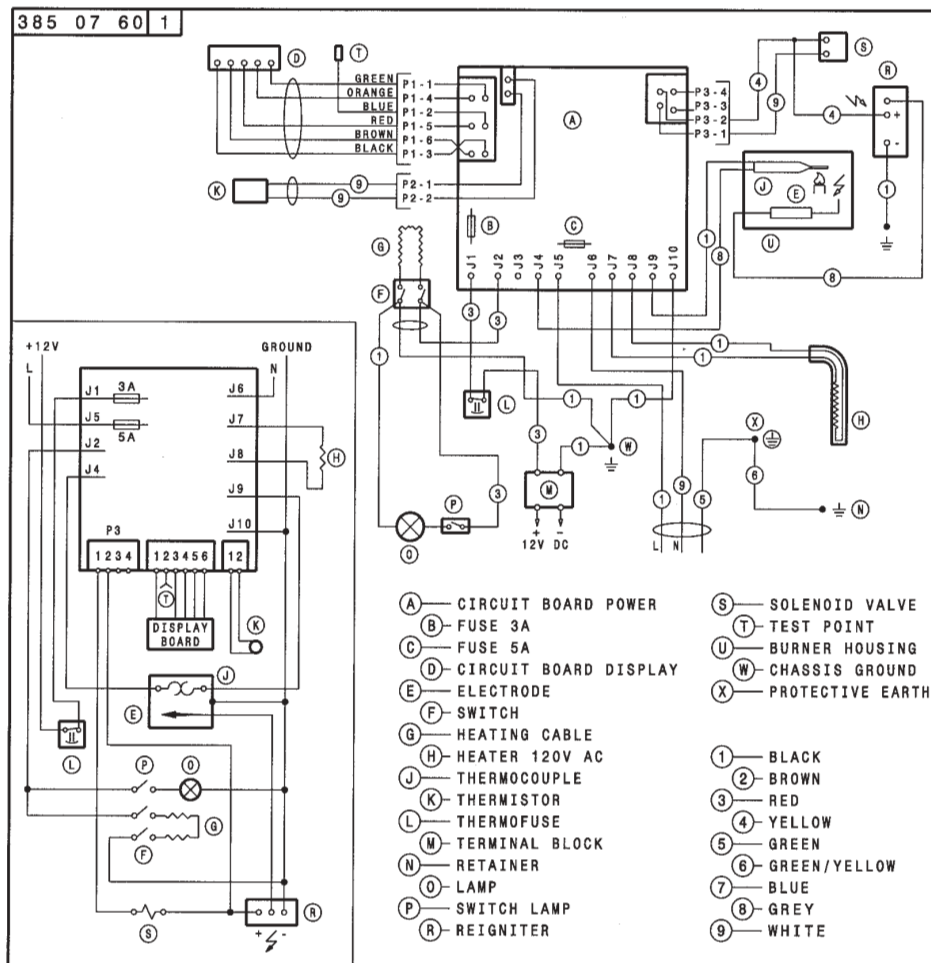
CABINET, REAR VIEW

INDEX	PART NUMBER	MODELS	DESCRIPTION
		RM2852 921146127 = A	
		RM2852 921146128 = B	
100	2934806106	A B	Cooling Unit, Type 806, W/Thermofuse
101	0173228008	A B	Cap
102	2933557007	A B	Cover
103	3858020013	A B	Screw, DK4.8x16P, Zinc
140	3850582002	A B	Label
141	3850583000	A B	Label

Only Those Parts Identified With An Index Number Are Available For Service Replacement.

WIRING DIAGRAM

RM2852 921146127
RM2852 921146128



N38507601