



When ordering parts, always state:  
 MODEL NO. - PRODUCT NO. - QUANTITY -  
 PART NUMBER - DESCRIPTION  
 For Electric Details also state:  
 VOLTAGE - WATTAGE

# AMERICANA

## REFRIGERATOR

### RM2662

**USA**  
 SERVICE OFFICE  
 Dometic Corporation  
 2320 Industrial Parkway  
 Elkhart, IN 46516  
 574-294-2511

**CANADA**  
 Dometic Distribution  
 866 Langs Drive  
 Cambridge, Ontario  
 CANADA N3H 2N7  
 519-653-4390

**For Service Center  
 Assistance Call:**  
 800-544-4881

Product Number	Model Number	Voltage	Refrig. Frame Color	Door Style	Door/Door Trim Color	Market	Brand
921144137	RM2662	120 VAC	Silver	Standard	Silver	USA/Canada	Dometic

# PARTS LIST

**MODEL  
 RM2662  
 Series**

**ALPHABETICAL INDEX**

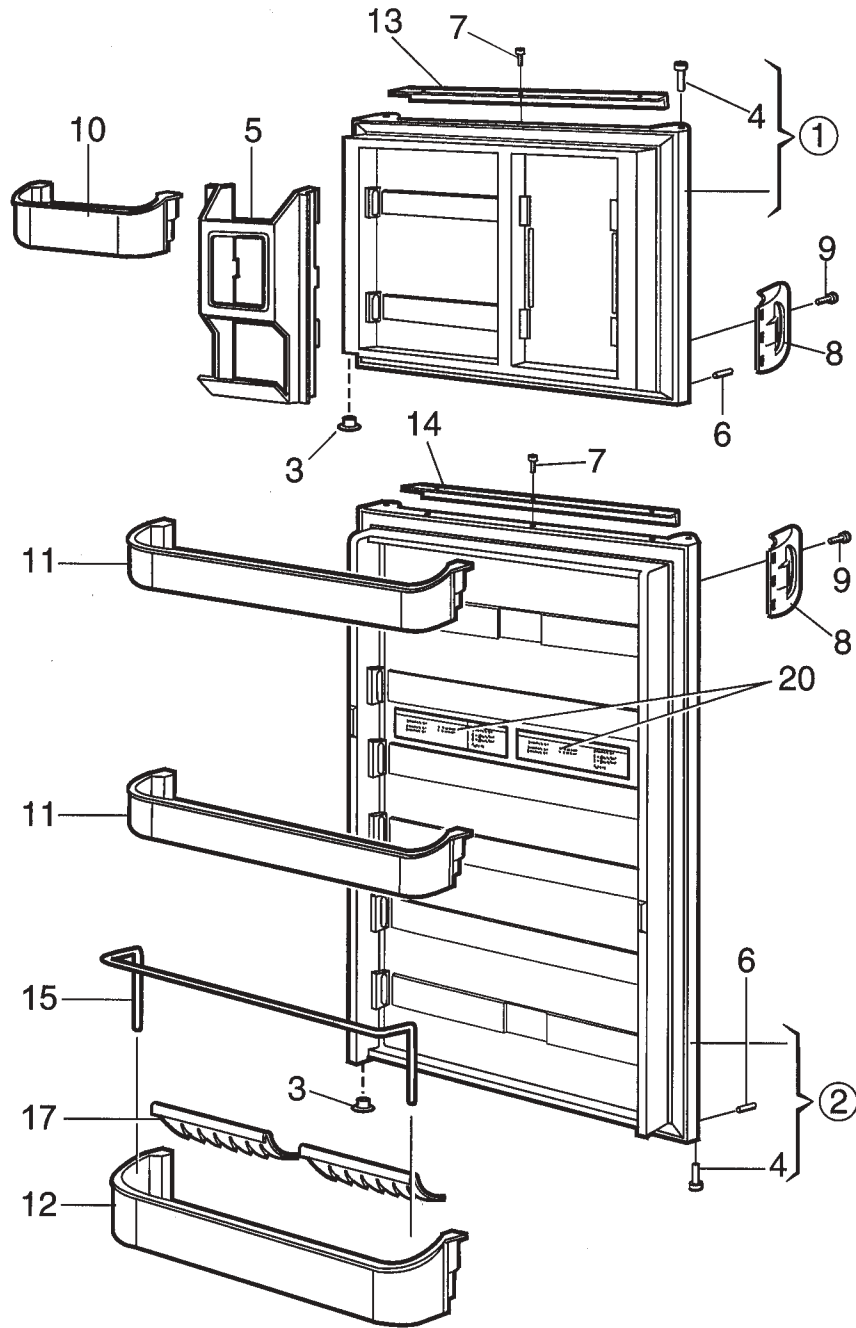
	Page#	Index#
Cabinet, Exterior Components .....	5-6	1-999
Cabinet, Interior Components .....	7-8	1-46
Cabinet, Rear View .....	11-12	100-

# AMERICAN

**SPECIFICATIONS**

<b>Model</b>	RM2662
<b>Model Number*</b>	921144137
<b>Energy Source**</b>	120 VAC, Gas
<b>Heating Element</b>	
<b>Amperage</b>	2.7
<b>Ohm Resis. +/- 10%</b>	44
Control & Burner Components .....	9-10 1-253
<b>Wattage</b>	325
Door Assm. ....	3-4 1-20
<b>BTU's Gas Burner</b> .....	1500 —
<b>Jet Size</b>	#58
<b>Flue Baffle</b>	
<b>Size</b>	5-1/8" x13/16"
<b>Position Above Burner</b>	1-7/8"
<b>Ice Trays</b>	0
<b>Crispers</b>	2
<b>Bottle Holders</b>	2
<b>Climate Control Heater</b>	
<b>Watts</b>	6
<b>Ohms</b>	24
<b>Amperage</b>	0.5
* Product number located on refrigerator data plate.	
** 12 volt DC power is required to operate the refrigerator controls on all models.	

# DOOR ASSEMBLY



NCMOA2065171

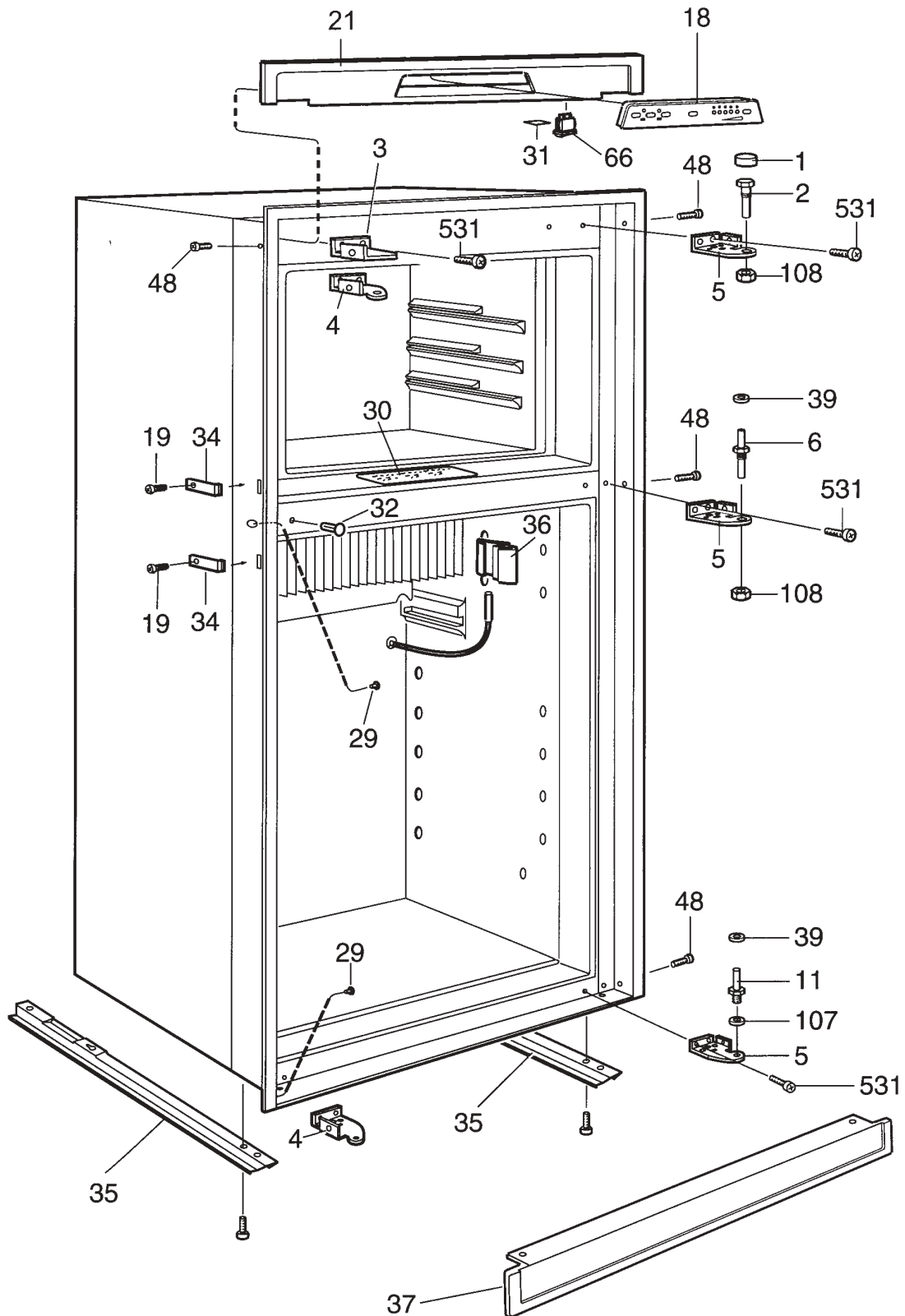
Only Those Parts Identified With An Index Number Are Available For Service Replacement.

## DOOR ASSEMBLY

<b>INDEX</b>	<b>PART NUMBER</b>	<b>DESCRIPTION</b>
1	2932561224	Freezer Door LH-Silver
2	2932563097	Refrigerator Door LH-Silver
3	2932740018	Cover Washer
4	2931171082	Hinge Bushing-Gray
5	2932578038	Holder-Clear
6	2932588011	Stopper
7	3858002102	Screw, RXS B4x9.5 Zinc Plated
8	2932093038	Handle-Black
9	3858000049	Screw-Black PT 50x26
10	2932577048	Door Shelf-Clear
11	2932576065	Door Shelf-Clear
12	2932575059	Bottle Shelf-Clear
13	3850381298	Decoration-Silver
14	3850381314	Decoration-Silver W/Logo
15	2932585033	Rack (SN/436XXXXX and After)
17	2932658012	Bottle Holder
20	2932722008	Decal
	3850581004	Decal, French

**Only Those Parts Identified With An Index Number Are Available For Service Replacement.**

## CABINET, EXTERIOR COMPONENTS



NCMOB2047507

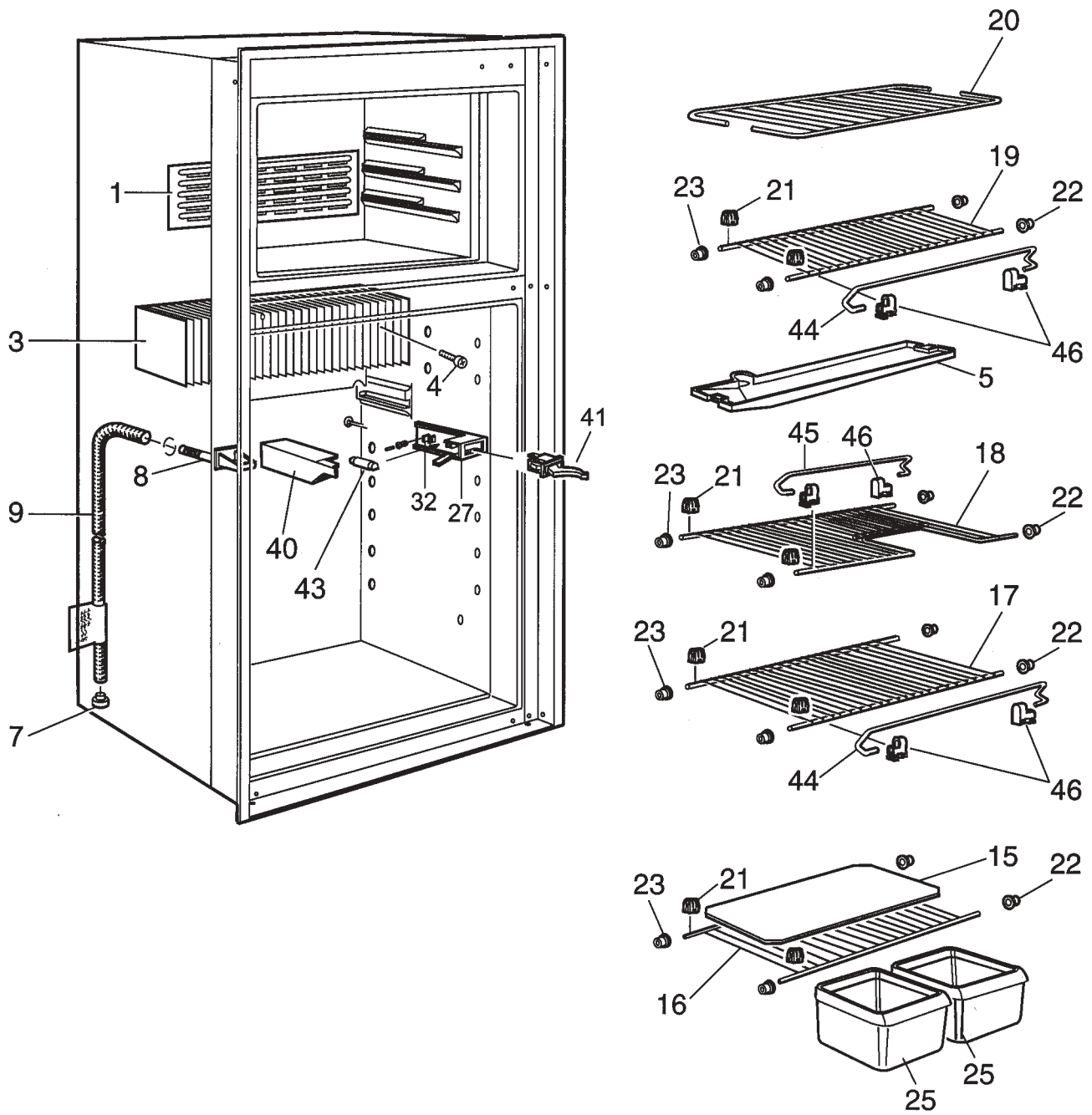
Only Those Parts Identified With An Index Number Are Available For Service Replacement.

## CABINET, EXTERIOR COMPONENTS

INDEX	PART NUMBER	DESCRIPTION
1	2932736099	Cover-Gray
2	2932647015	Hinge Pin-Upper
3	2932644061	Bracket RH-Silver
4	2932643063	Hinge-Silver
5	2932643055	Hinge-Silver
6	2932648013	Hinge Pin-Silver
11	2932649011	Hinge Pin, Lower-Silver
18	2932884055	Panel Display Board-Black
19	3858002052	Screw RXS B6x6.5 Zinc Plated
21	2932641067	Front-Silver
29	2930740085	Cover-Gray
30	2932435007	Decal
31	2932779008	Decal
32	3850585054	Plug-Gray
34	2932855014	Fastening Bow
35	2932660018	Rail
36	2932456011	Bracket Thermister
37	2932690072	Base Cover-Silver
39	3858010089	Washer, 5.5 x12x1-Silver
48	3858004058	Screw, MRX M4x4
66	2932680024	Switch
107	3858010113	Washer, BRB 6.5x12.5 Zinc Plated
108	3858009040	Nut, ML6 M6-Silver
531	3858039047	ScrewMRX M4x10 Zinc Plated
999	293275016	Door Reversing Kit LH to RH-Silver

**Only Those Parts Identified With An Index Number Are Available For Service Replacement.**

# CABINET, INTERIOR COMPONENTS



NCMOD2065173

Only Those Parts Identified With An Index Number Are Available For Service Replacement.

## CABINET, INTERIOR COMPONENTS

INDEX	PART NUMBER	DESCRIPTION
1	2932728013	Coverplate
3	2932630011	Cooling Fins
4	3858036019	Screw, KFS B10x38 Zinc Plated
5	2932624014	Evaporation Tray
7	2932115013	Discharge Pipe-Plug
8	2932635010	Drain
9	2932749019	Drain Hose
15	2931117176	Shelf Plastic
16	3850324025	Grating Shelf
17	3850324017	Grating Shelf
18	3850325014	Grating Shelf
19	3850324033	Grating Shelf
20	2932627025	Grating Shelf
21	2932102011	Shelf Support
22	2932101013	Plug
23	2932103019	Plug
25	2932621077	Crisper-Clear
27	2932523018	Lamp Holder
32	2932108018	Contact Pin
40	2932106012	Lamp Cover
41	2932665017	Switch
43	2007290006	Bulb, 10W-12VDC
44	2007337211	Rack
45	2007337120	Rack
46	2930693045	Rack

Only Those Parts Identified With An Index Number Are Available For Service Replacement.

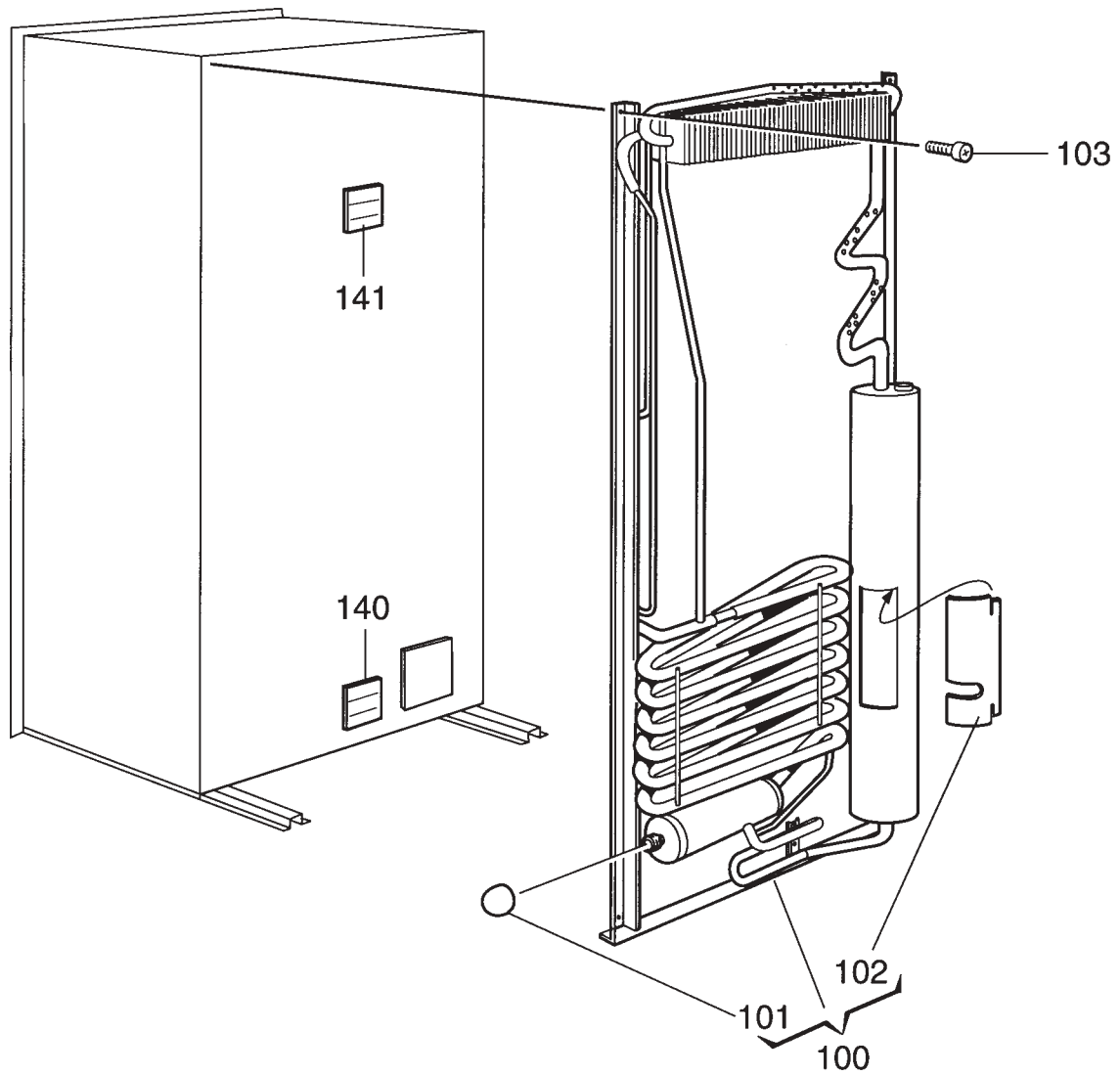


## CONTROL & BURNER COMPONENTS

INDEX	PART NUMBER	DESCRIPTION
1	0140207044	Nut
10	2932603018	Burner Housing
17	3858039039	Screw, MRX M4x8 Zinc Plated
18	3858039047	Screw, MRX M4x10 Zinc Plated
19	3858002144	Screw, RXS B6x13 Zinc Plated
20	2932615012	Solenoid Valve
21	3858002151	Screw, RXS B6x13 Zinc Plated
22	3858005014	Screw, RXK B6x9.5 Zinc Plated
25	3858010071	Washer, 12.5x18.5x1
32	2930697079	Burner W/Conductor
33	2932781012	Electrode W/Conductor
38	2007419217	Jet #58
45	3850712013	Power Module-intergrated
47	2954542037	Conductor PCB
48	2931863035	Conductor, Thermistor
49	2954539041	Conductor, Solenoid Valve
53	2932661016	Cover
55	2932662014	Bracket
68	0173768037	Heater, 325W-120VAC
70	2007457001	Washer, 0.5mm
84	3858022019	Terminal Block
85	3858002185	ScrewRXS B6x25 Zinc Plated
91	3858002177	Screw, RXS B6x19 Zinc Plated
113	2932733005	Decal
115	2932667039	Flue Baffle
150	3850337019	Bracket
151	0561014010	Cable Clamp
152	3850377015	Retainer, Solenoid Valve
153	3858018017	Screw, M5x25 Zinc Plated
250	3858004033	Screw, MRX M4X16 Zinc Plated
251	3858011012	Lock Washer, 4.3X8 Zinc Plated
252	3858009016	Hexagon Nut, M4X3.2 Zinc Plated
253	3858028024	Lock Nut, M4 Zinc Plated

**Only Those Parts Identified With An Index Number Are Available For Service Replacement.**

### CABINET, REAR VIEW



NCMOE2060737

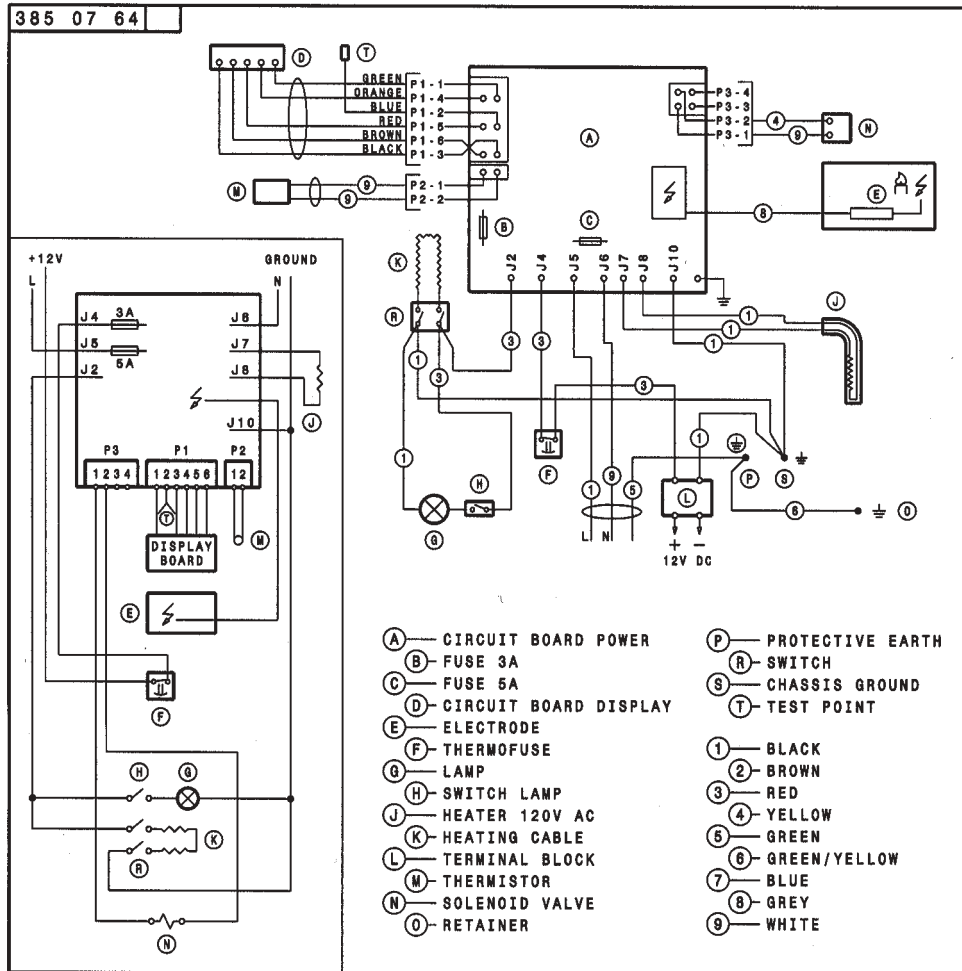
Only Those Parts Identified With An Index Number Are Available For Service Replacement.

## CABINET, REAR VIEW

<b>INDEX</b>	<b>PART NUMBER</b>	<b>DESCRIPTION</b>
100	2934606100	Cooling Unit Type 606
101	0173228008	Cap
102	2933557007	Cover
103	3858020013	Screw, DK4.8x16P Zinc Plated
140	3850582002	Decal
141	3850583000	Decal
145	2002699110	Power cord (not shown)

**Only Those Parts Identified With An Index Number Are Available For Service Replacement.**

# WIRING DIAGRAM



N38507640